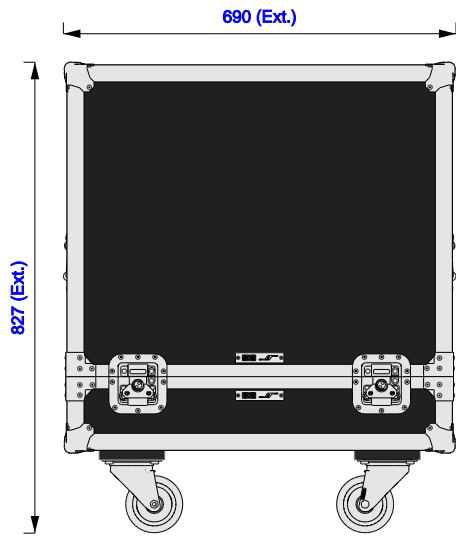




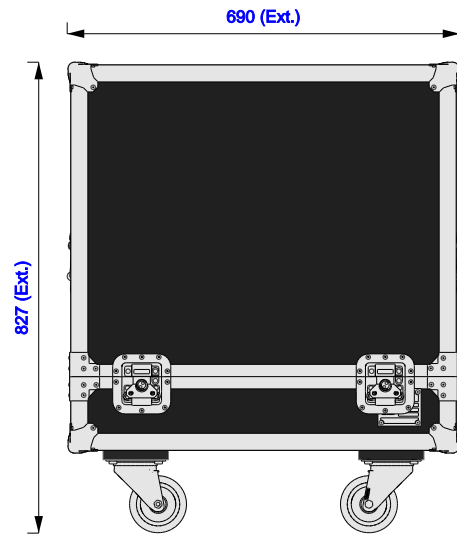
Part No  
97576-1

Drawn By  
Andy L

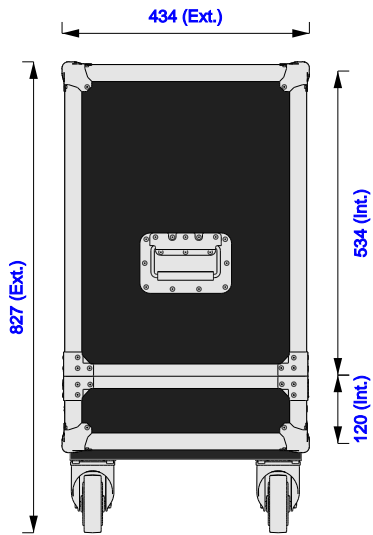
Front



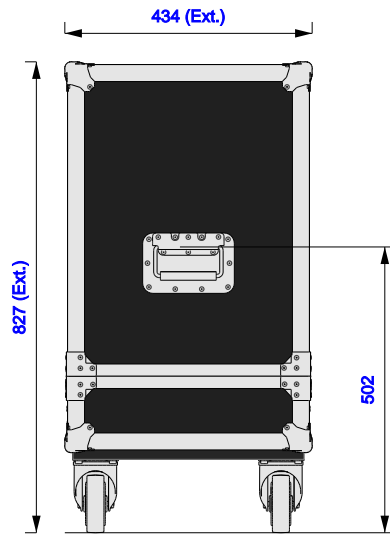
Back



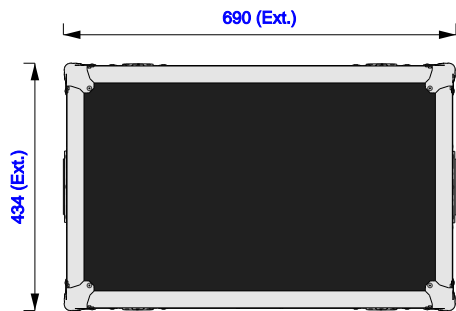
Right



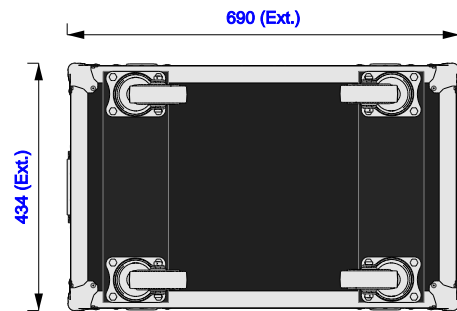
Left



Plan



Underside





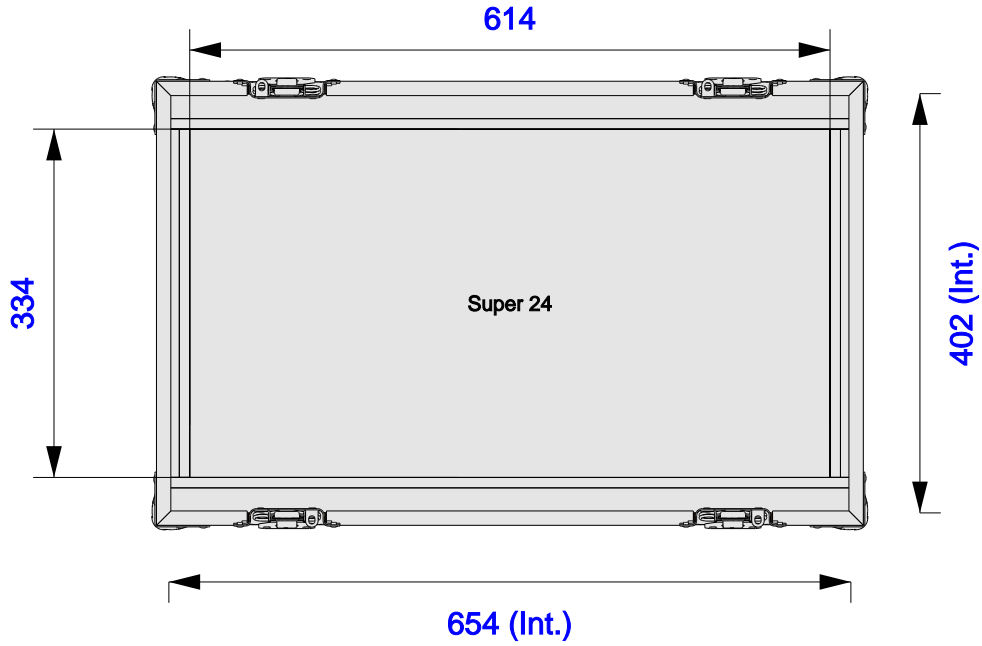
**Part No**  
97576-1

**Drawn By**  
Andy L

**Plan - Base only**

± 2mm tolerance apply to cavity dimensions

Unless stated otherwise



Super 24

Length: 610mm

Width: 330mm

Height: 610mm

**Underside - Lid only**

