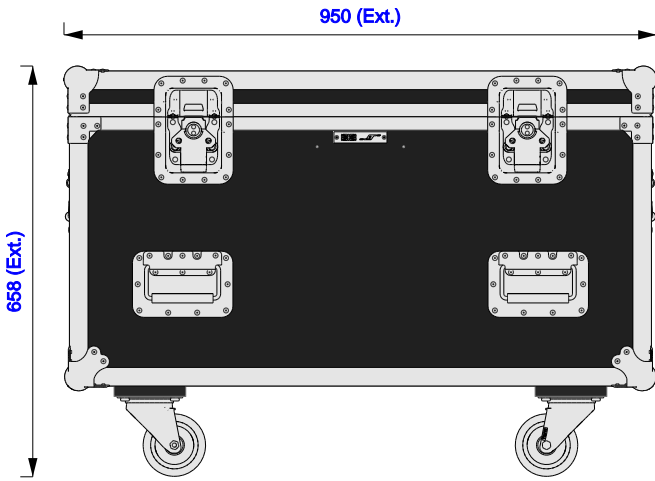




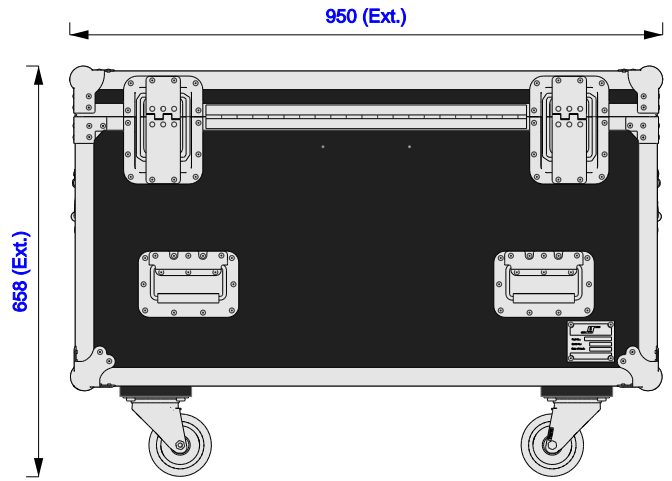
Part No
97552-1

Drawn By
Gerda

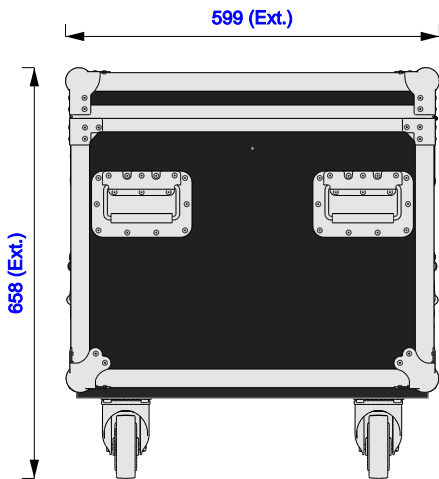
Front



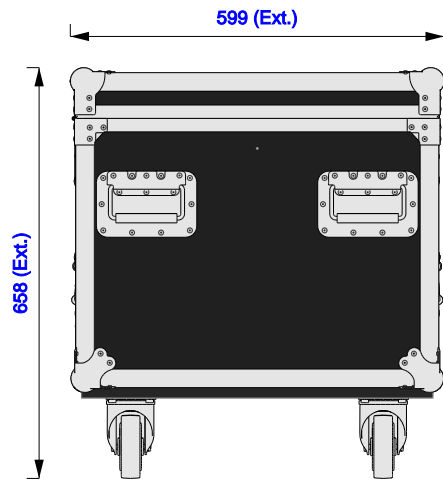
Back



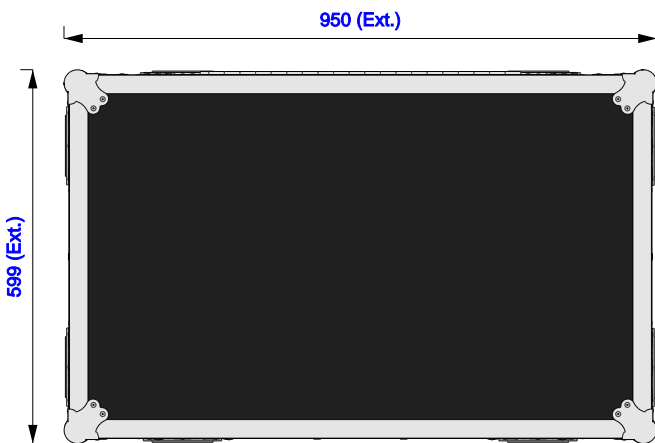
Right



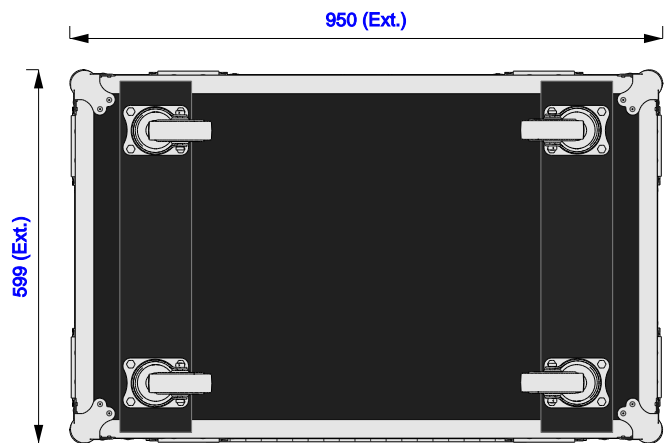
Left



Plan



Underside

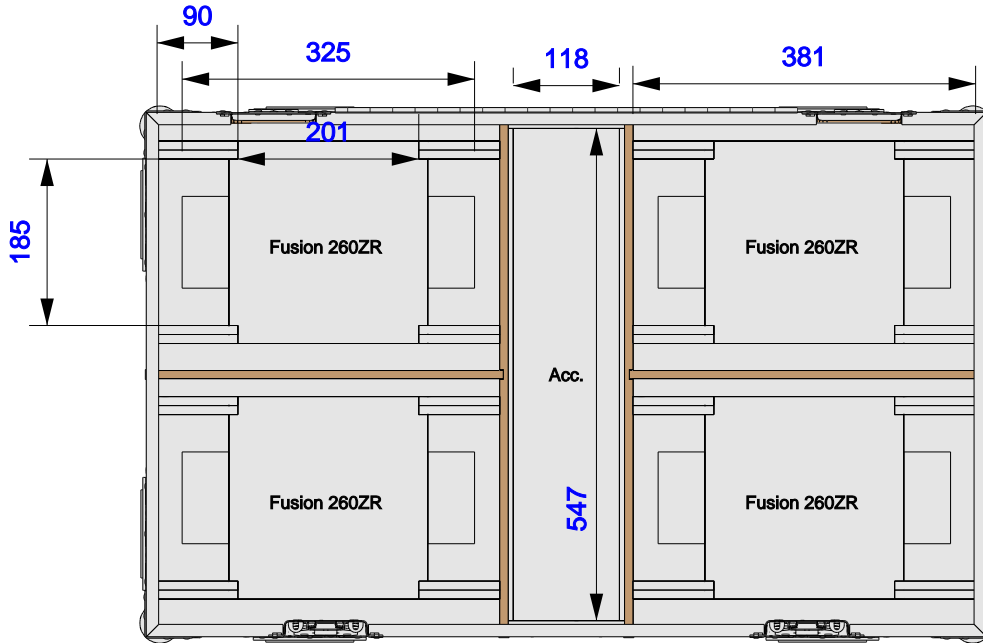




Part No
97552-1

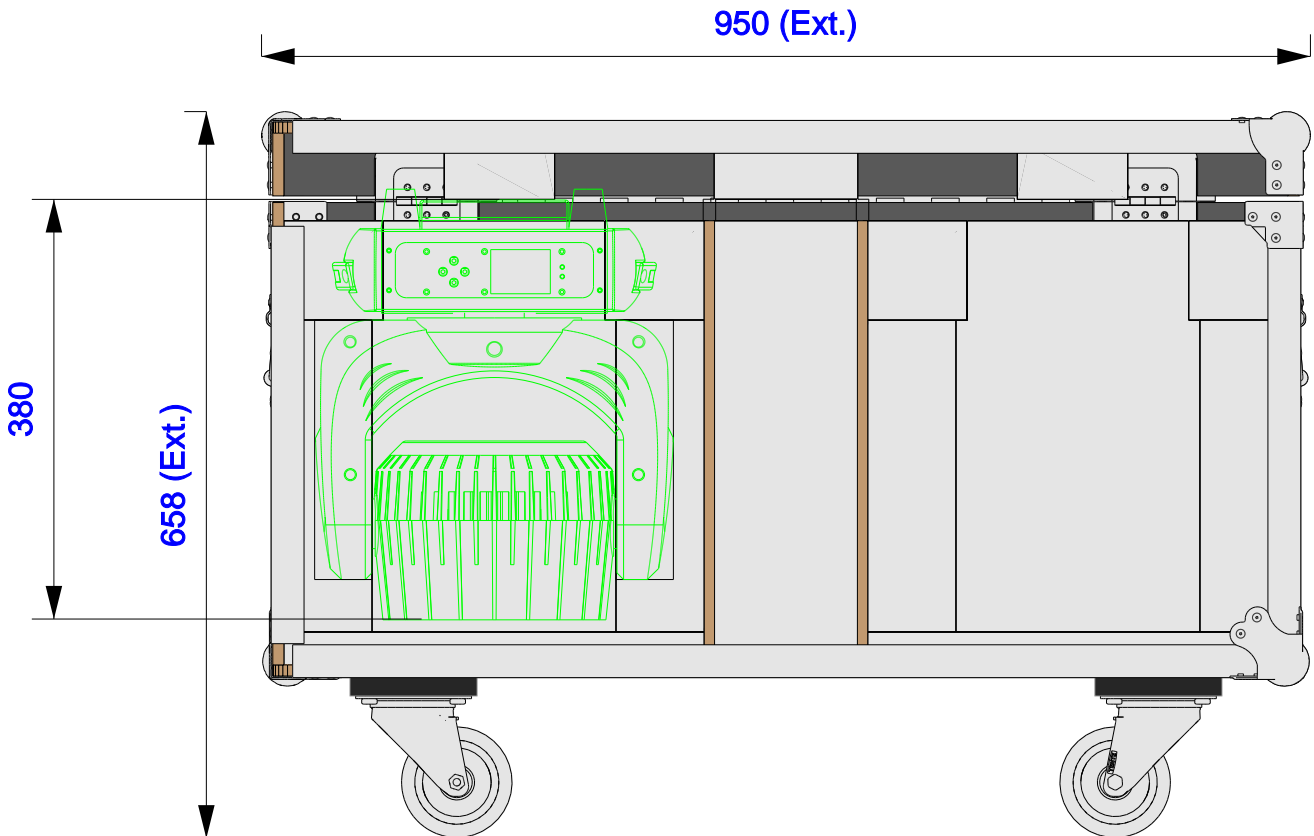
Drawn By
Gerda

Plan - Base only
± 3mm tolerance apply to cavity dimensions
Unless stated otherwise



Fusion 260ZR	Extra Height	Fusion 260ZR	Extra Height
Length: 324mm		Length: 324mm	
Width: 222mm	48mm	Width: 222mm	48mm
Height: 390mm		Height: 390mm	

Front internal view

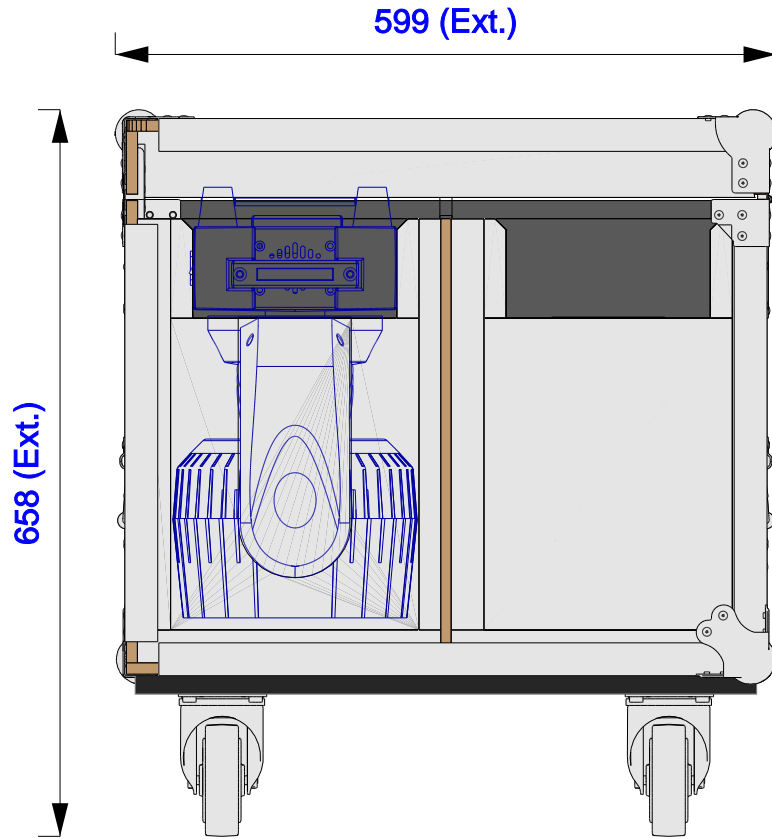




Part No
97552-1

Drawn By
Gerda

Internal side view



Underside - Lid only

