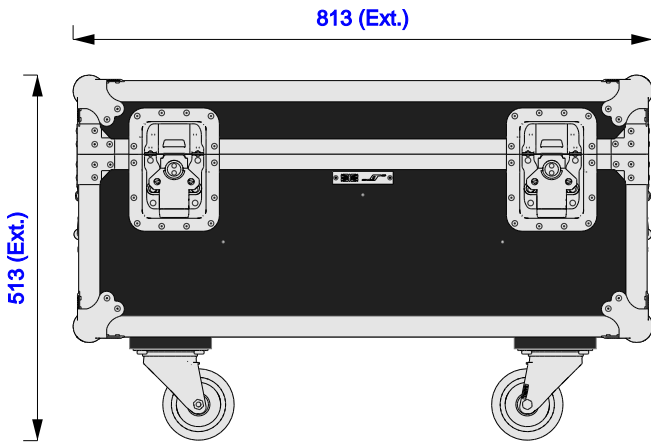




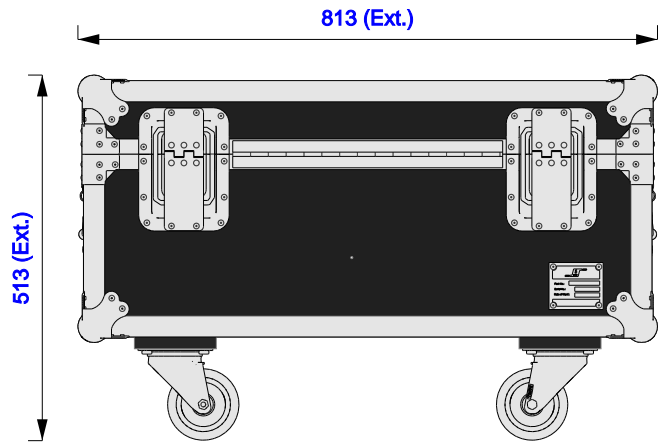
Part No
97311-1

Drawn By
Andy L

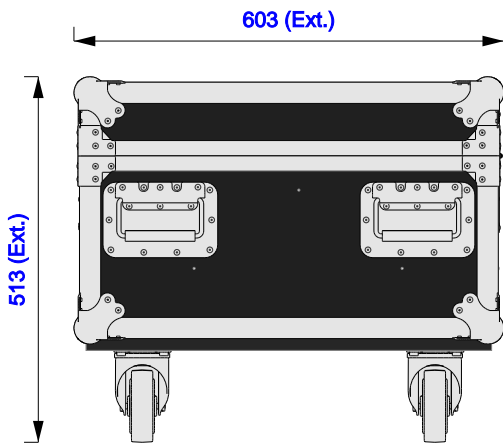
Front



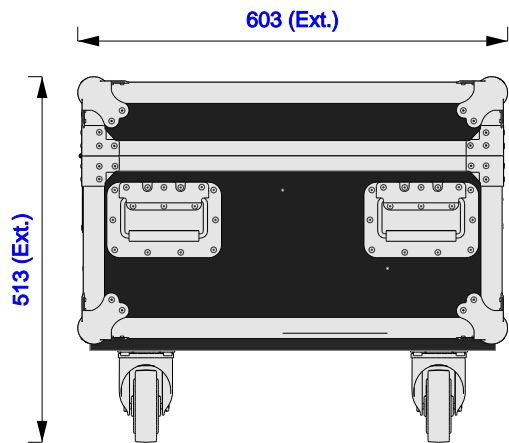
Back



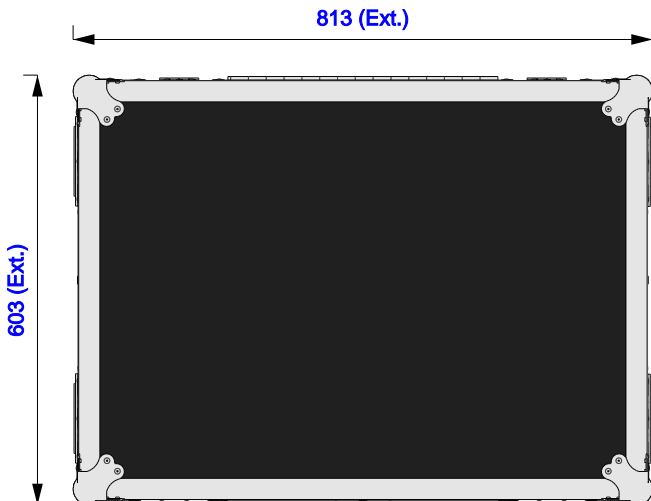
Right



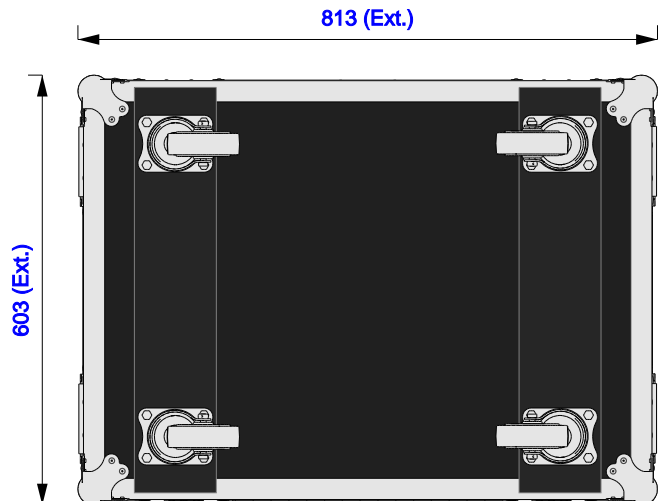
Left



Plan



Underside



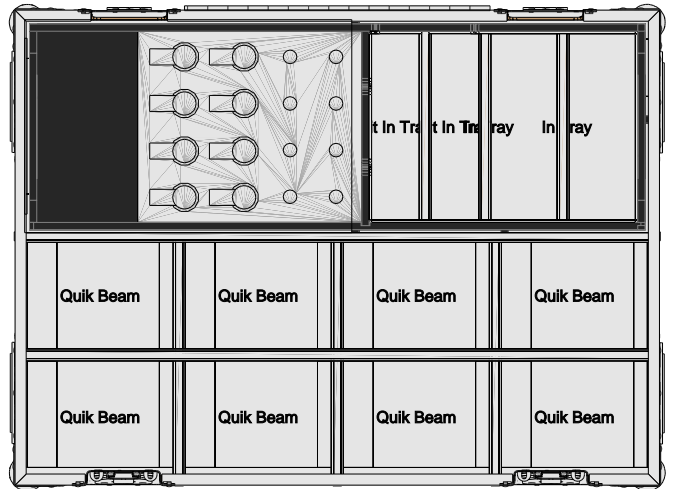


Part No
97311-1

Drawn By
Andy L

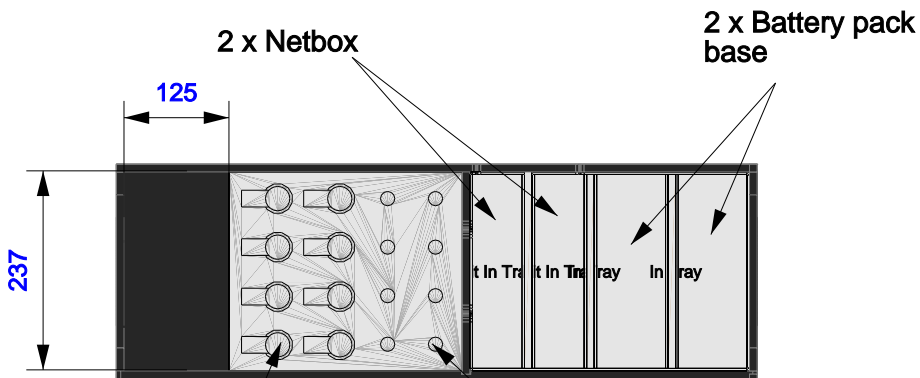
Plan - Base only

± 3mm tolerance apply to cavity dimensions.
Unless stated otherwise.



Quik Beam	Quik Beam	Kit	Kit	Kit
Length: 123mm	Length: 123mm	Length: 386mm	Length: 321mm	Length: 56mm
Width: 128mm	Width: 128mm	Width: 218mm	Width: 96mm	Width: 228mm
Height: 241mm	Height: 241mm	Height: 137mm	Height: 96mm	Height: 146mm

Plan - Base only Trays Only

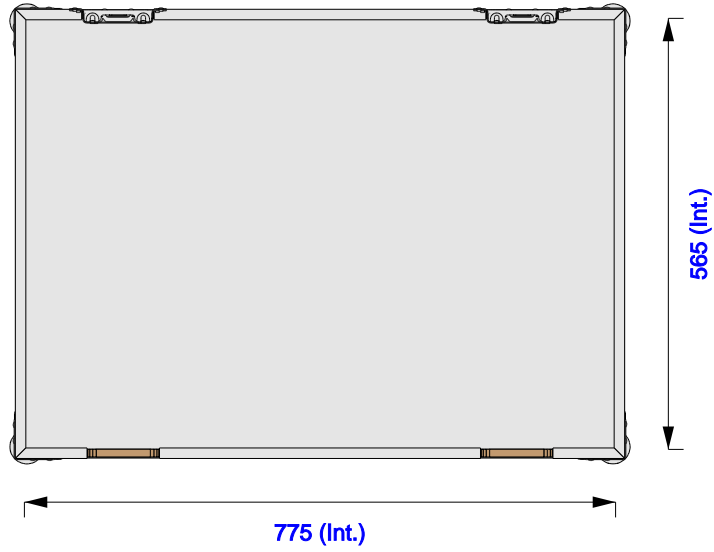




Part No
97311-1

Drawn By
Andy L

Underside - Lid only



Plan - Base only Except Trays

