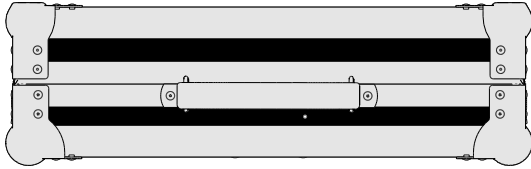




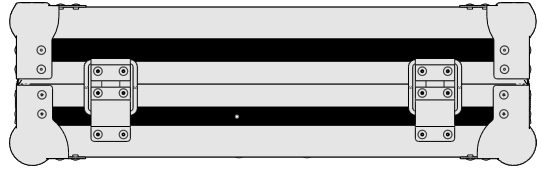
**Part No**  
97278-1

**Drawn By**  
Daniel Green

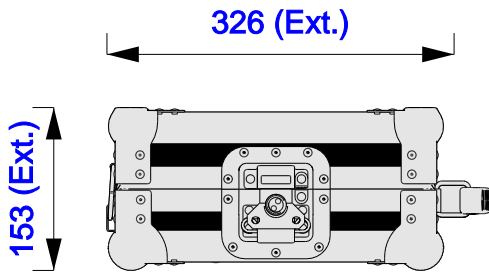
**Front**



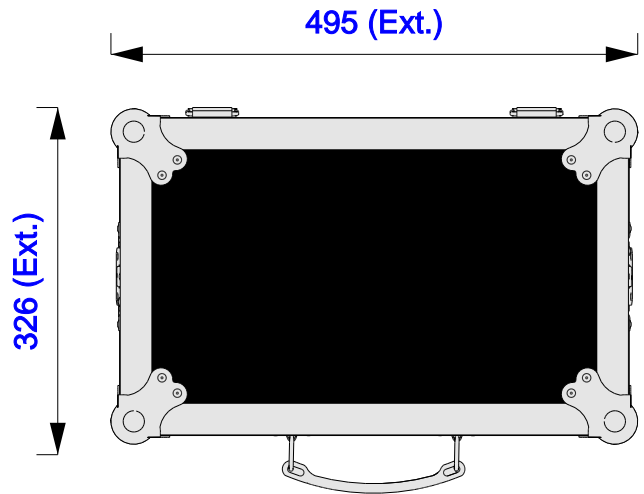
**Back**



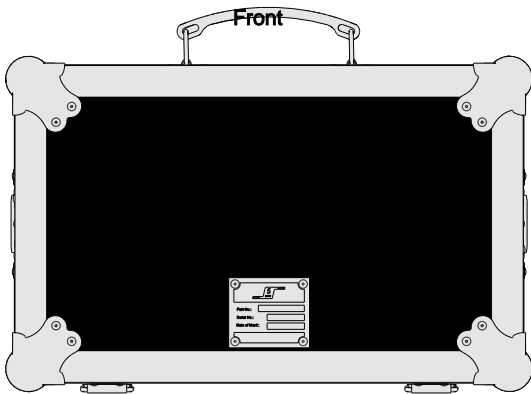
**Left**



**Plan**



**Underside**

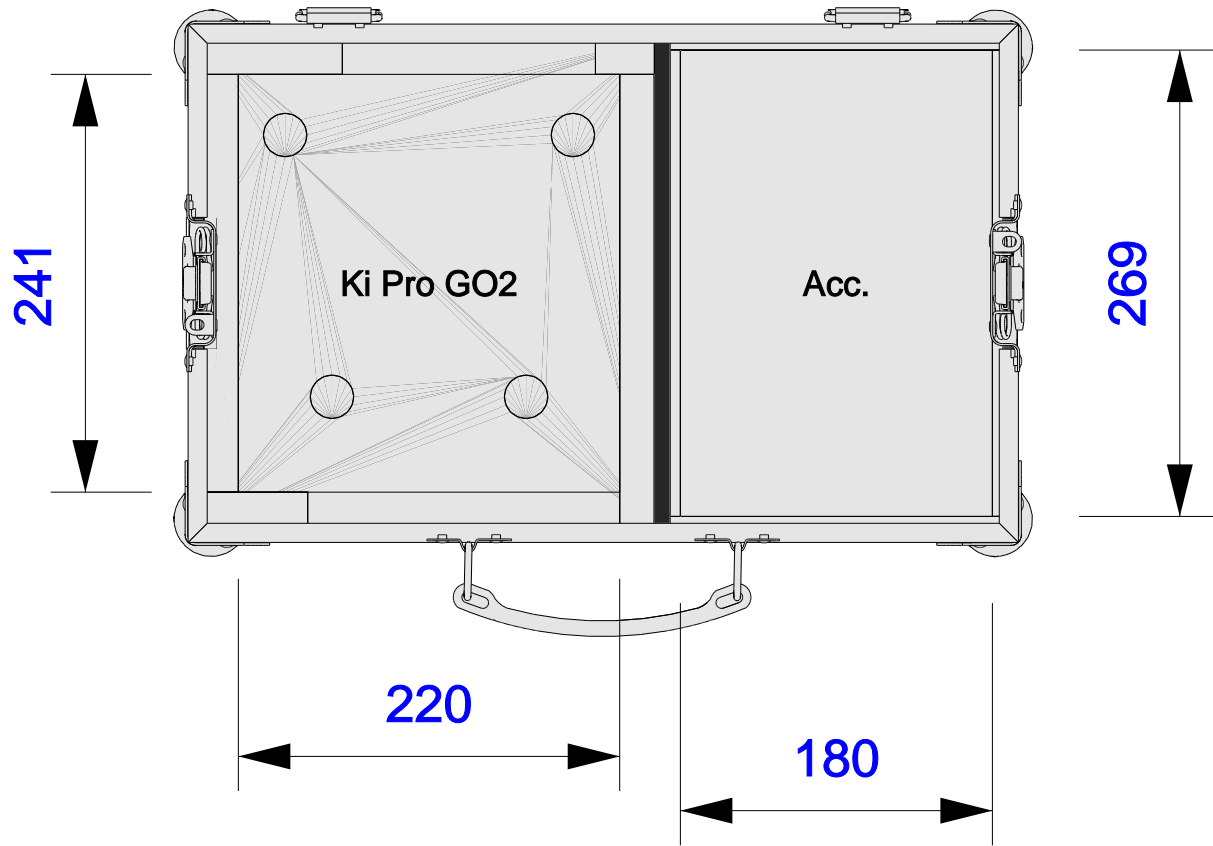




**Part No**  
97278-1

**Drawn By**  
Daniel Green

**Plan - Base only**



**Underside - Lid only**

