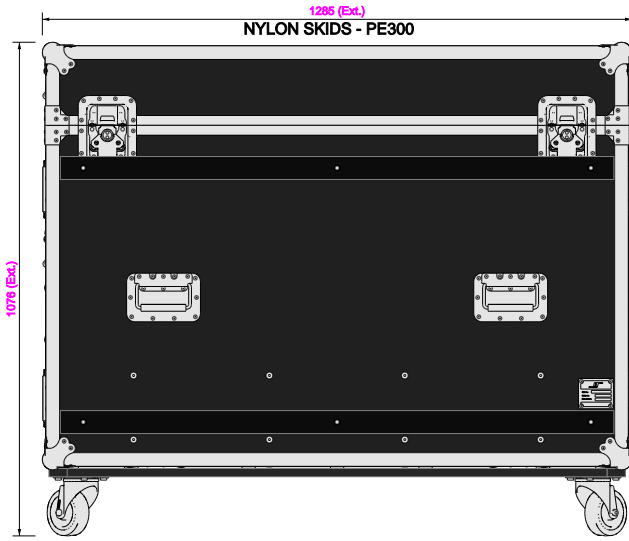




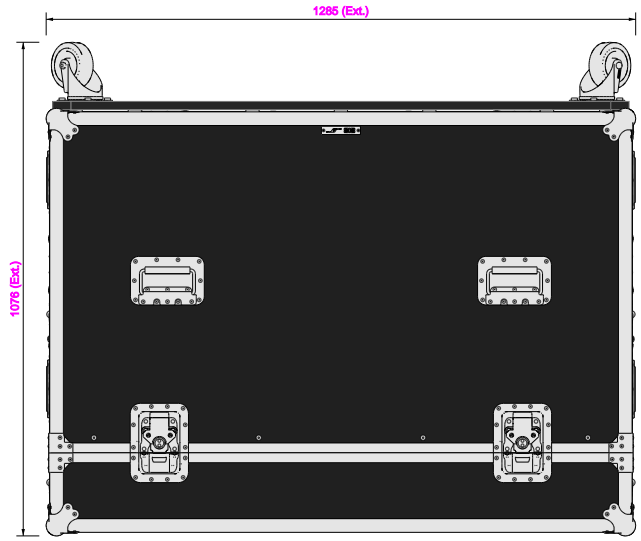
Part No
97206-1

Drawn By
Raivis Bumeistars

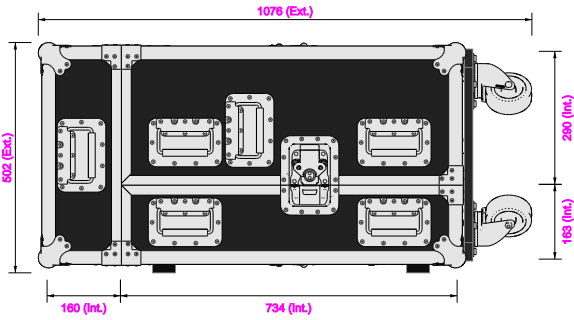
Underside



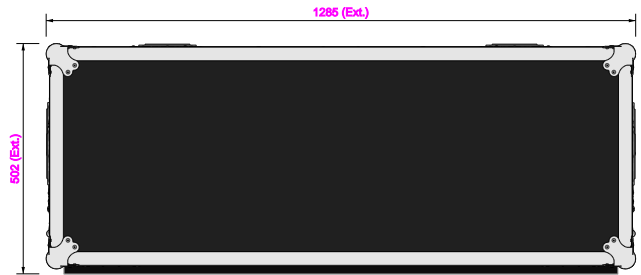
Plan



Right



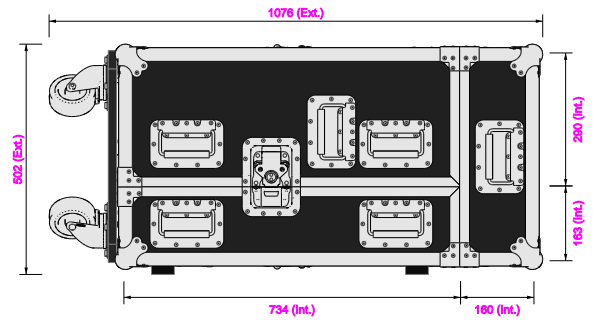
Front



Back



Left



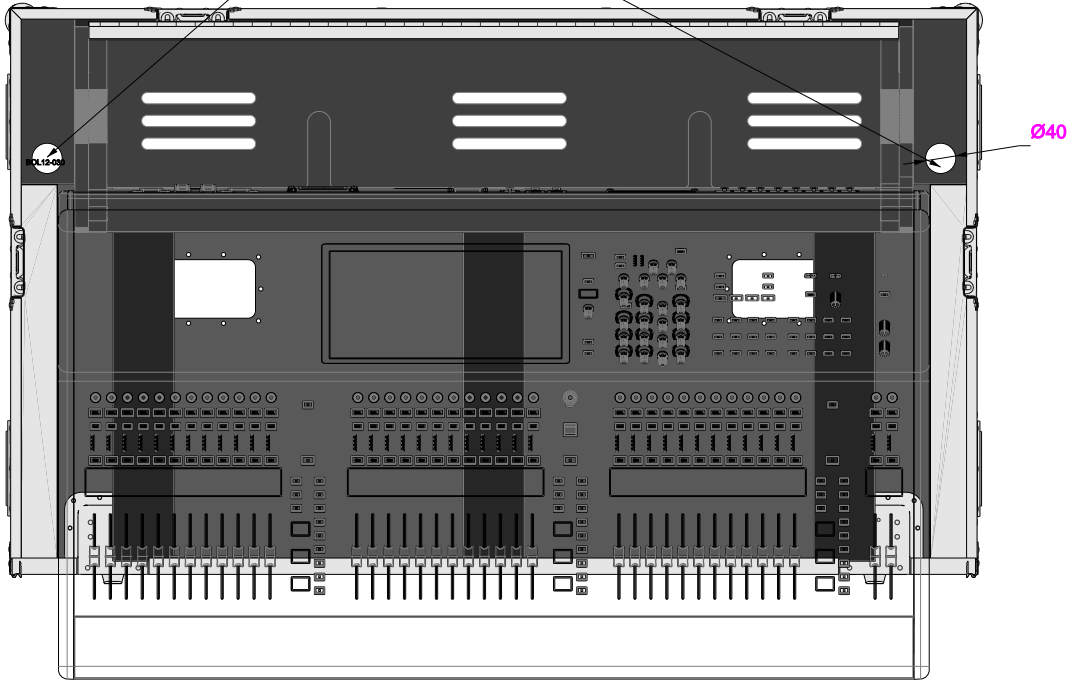


Part No
97206-1

Drawn By
Raivis Bumeistars

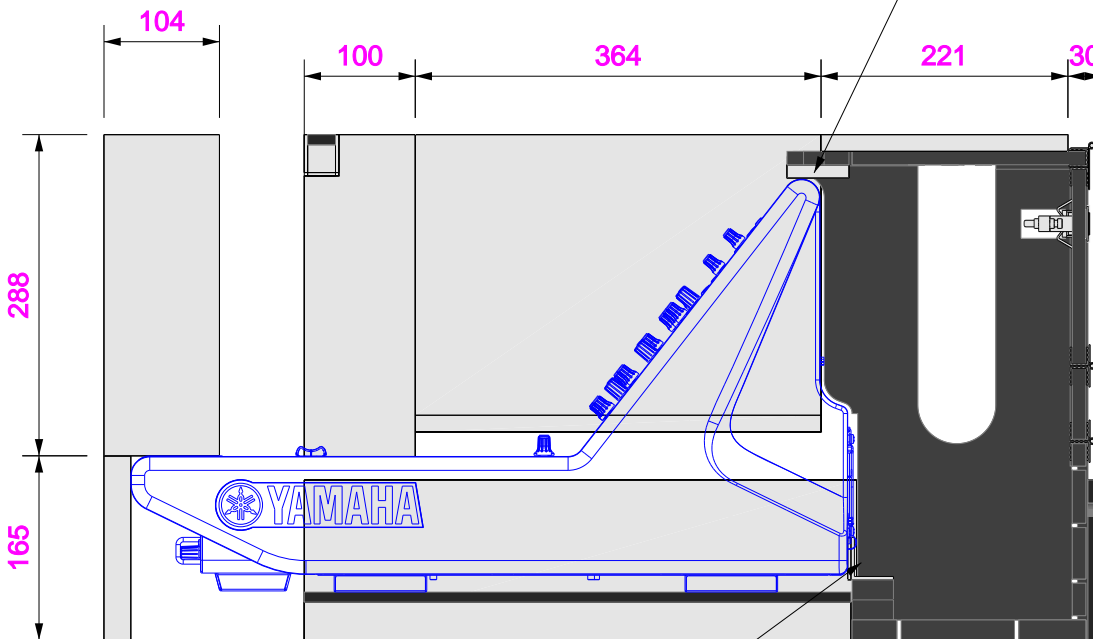
Plan - Base only

M12 Bolts fitted for monitor poles!



Right (filtered)

12mm foam under Fixed Lid



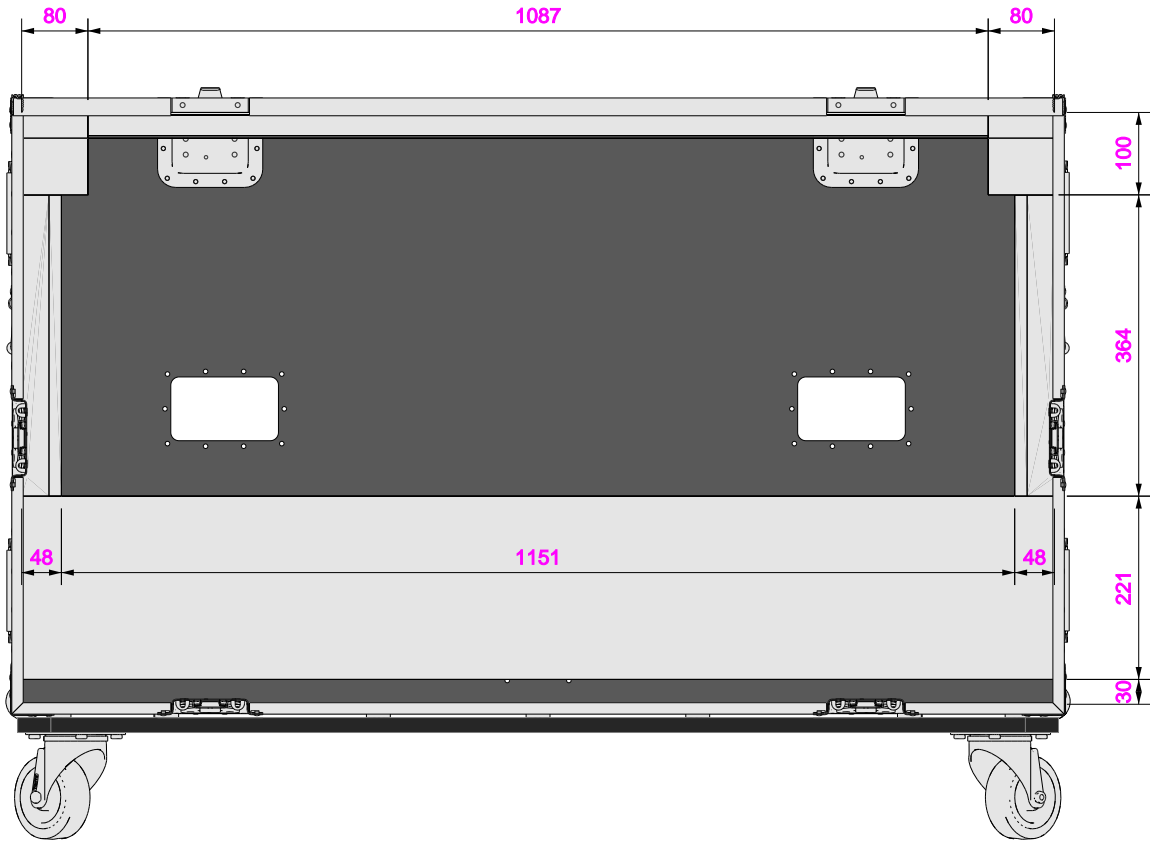
20x20mm Rear rubber bumper



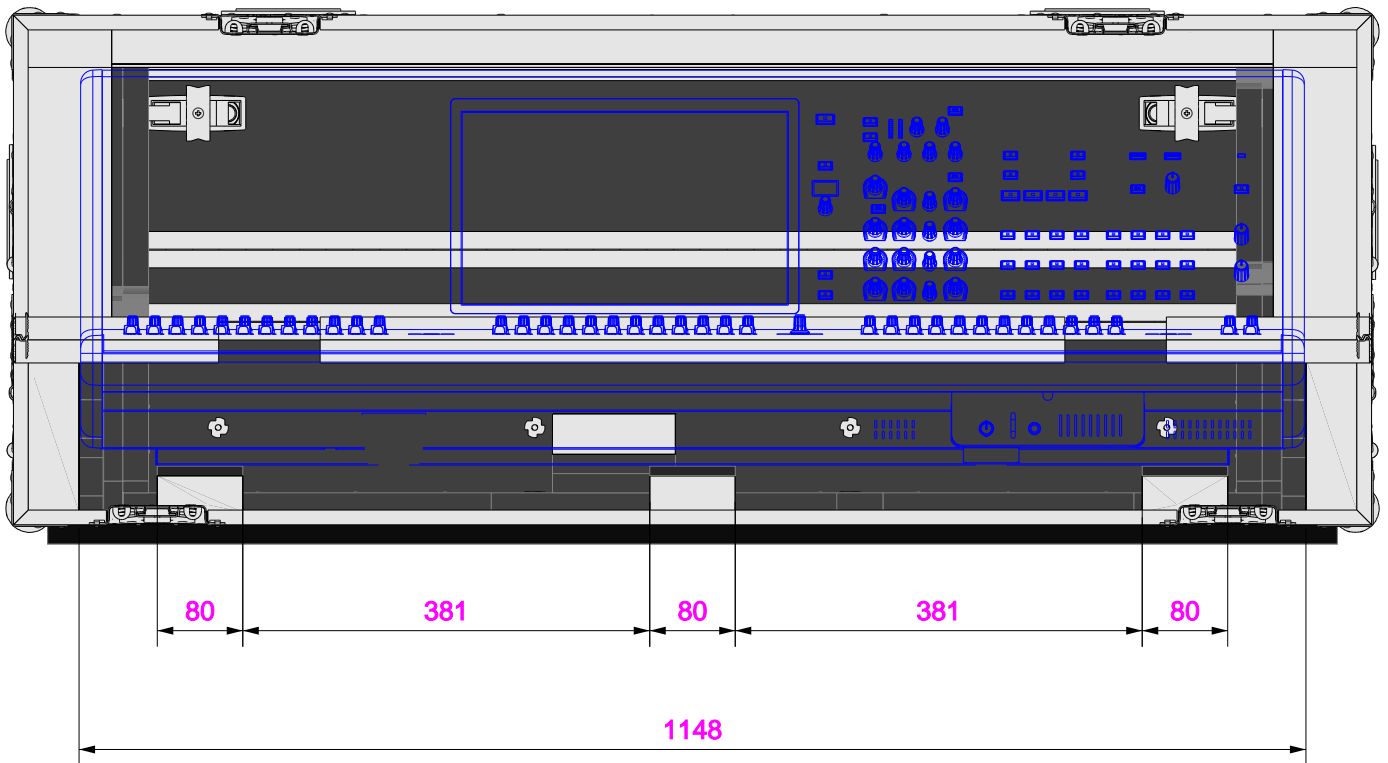
Part No
97206-1

Drawn By
Raivis Bumeistars

Underside - Lid only



Front - Base, Lid only (filtered)

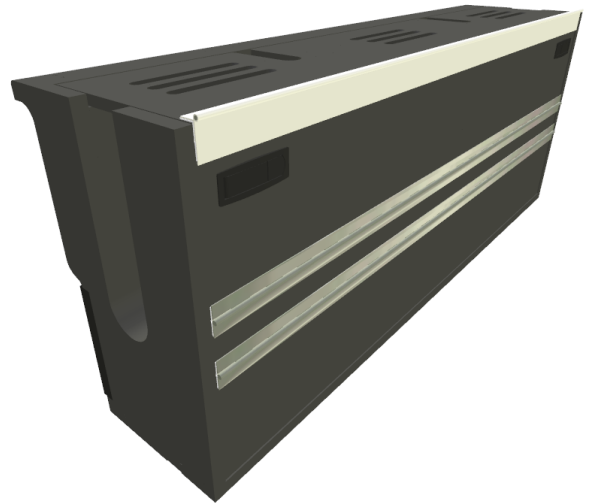




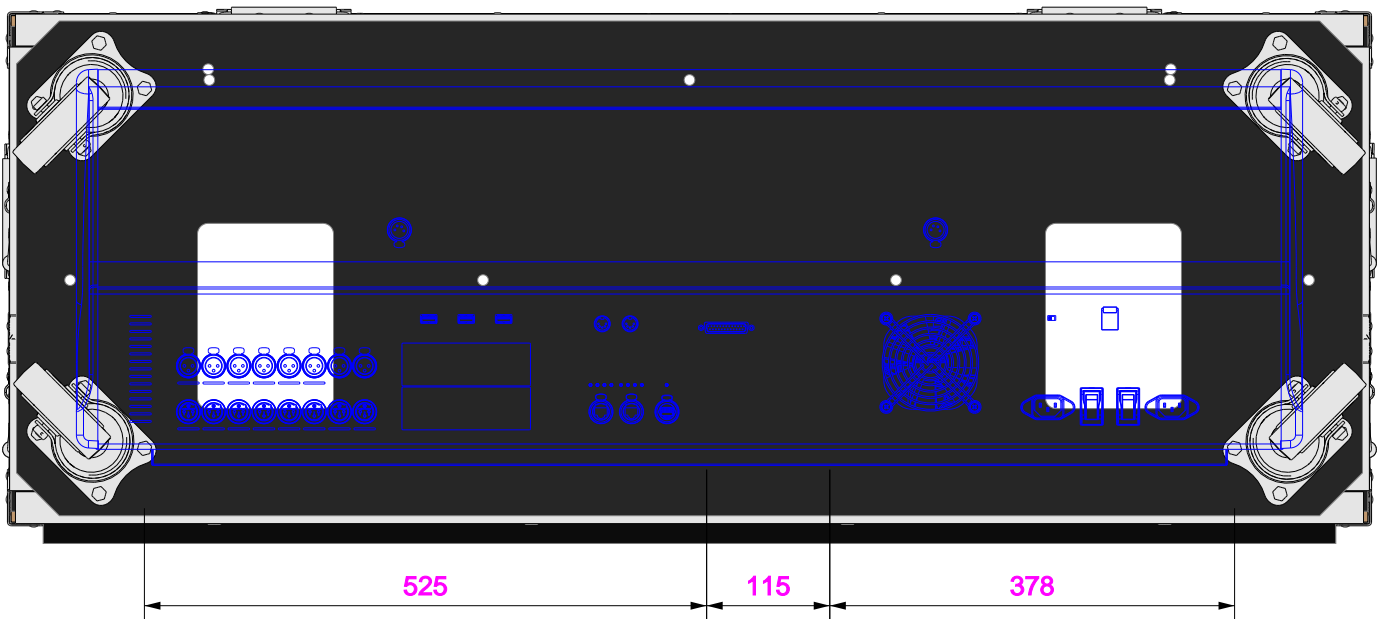
Part No
97206-1

Drawn By
Raivis Bumeistars

Dogbox 3D



Back - Base, Lid only (filtered)





Part No
97206-1

Drawn By
Raivis Bumeistars

Back - Nosecone only

