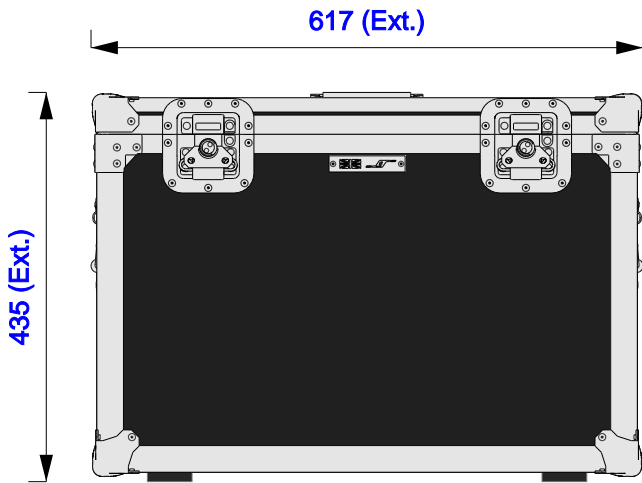




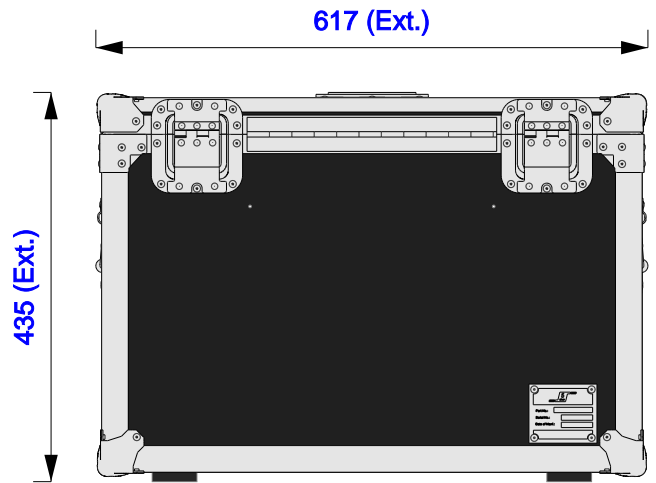
Part No
97122-2

Drawn By
Nick L

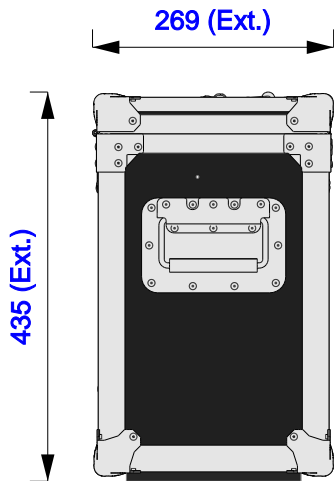
Front



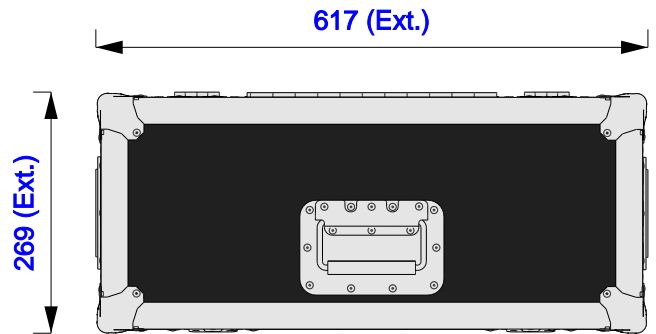
Back



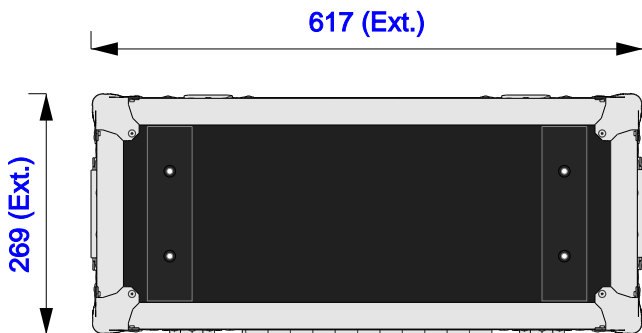
Left



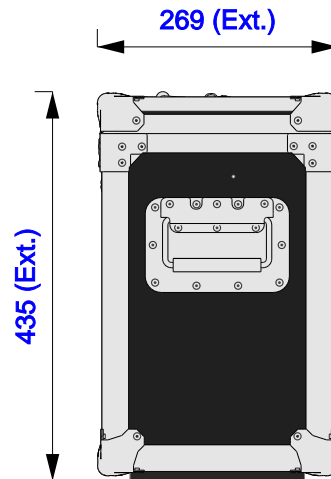
Plan



Underside



Right





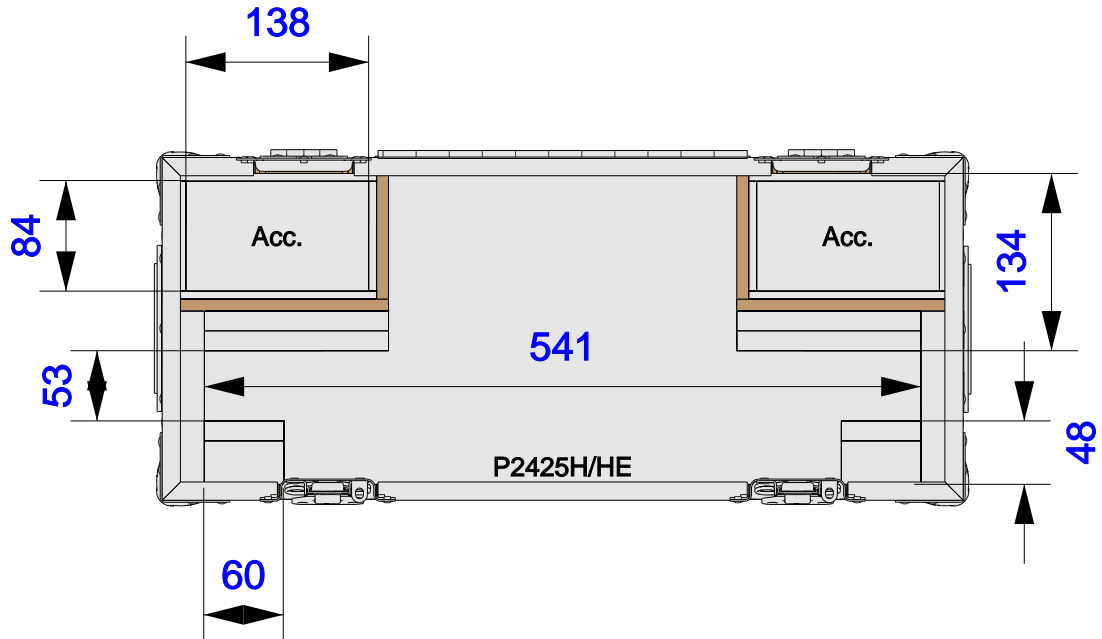
Part No
97122-2

Drawn By
Nick L

Plan - Base only

± 2mm tolerance apply to cavity dimensions

Unless stated otherwise



P2425H/HE
Length: 538mm
Width: 50mm
Height: 348mm

Underside - Lid only

