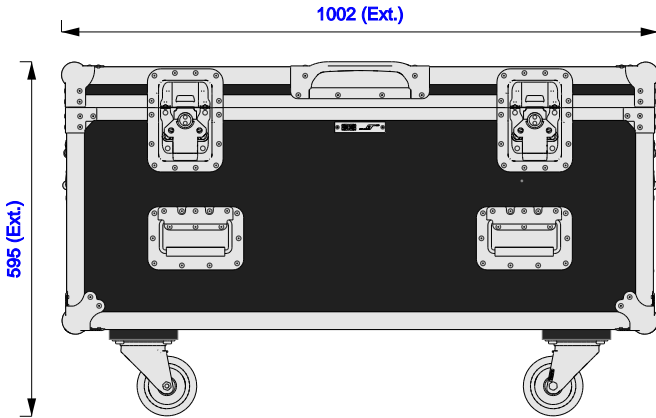




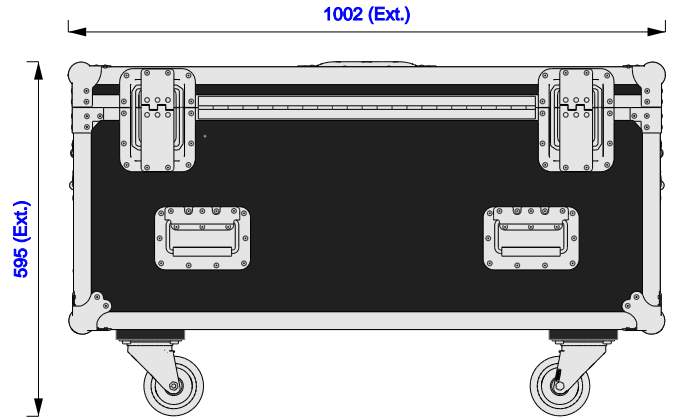
Part No  
97085-1

Drawn By  
Gerda

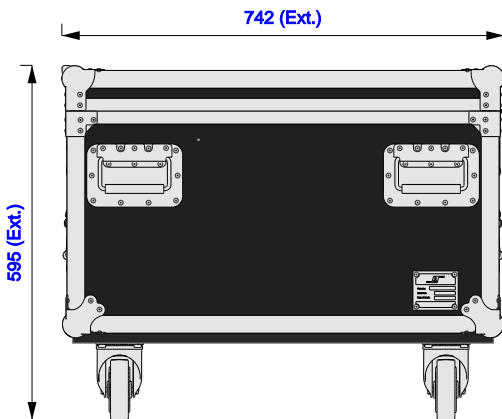
Front



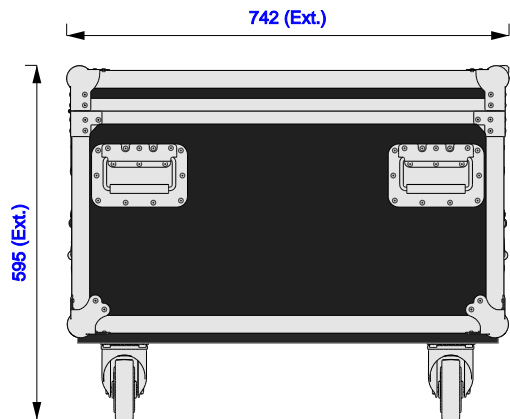
Back



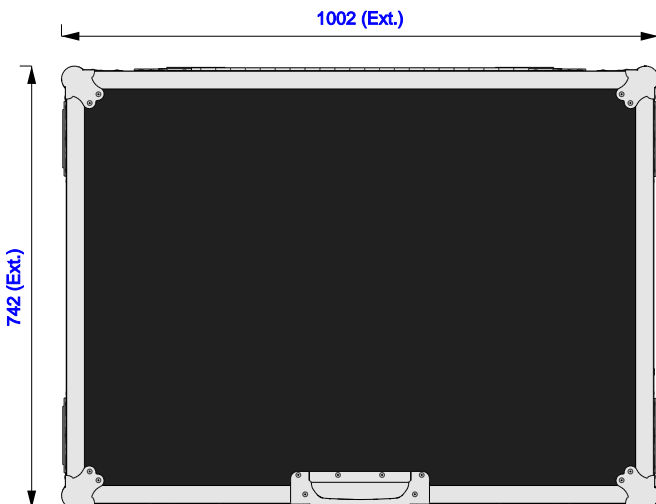
Right



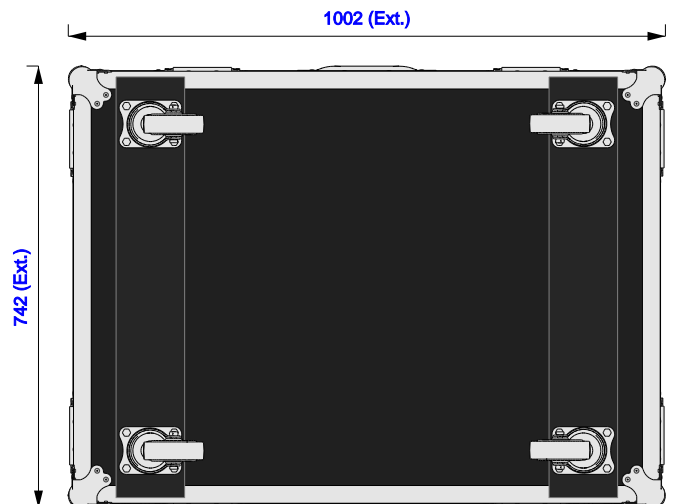
Left



Plan



Underside

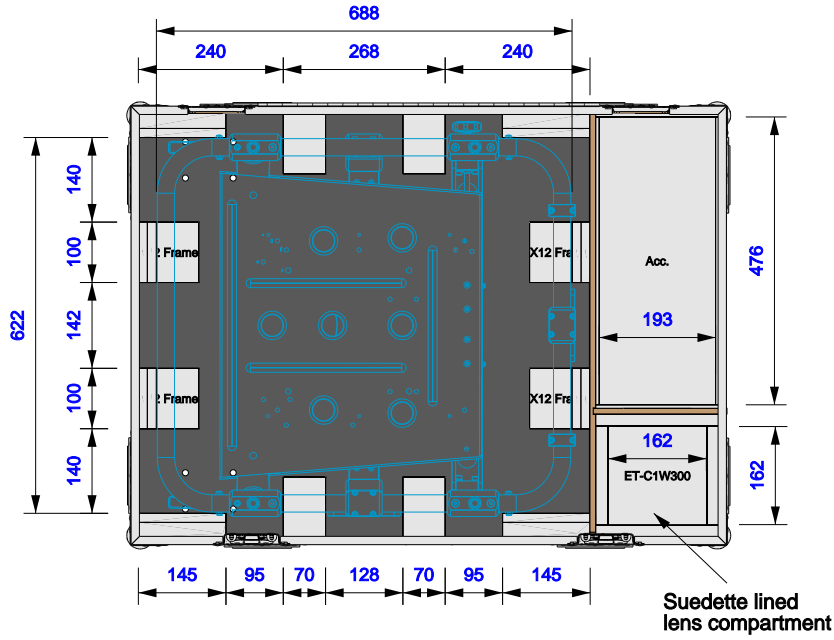




**Part No**  
97085-1

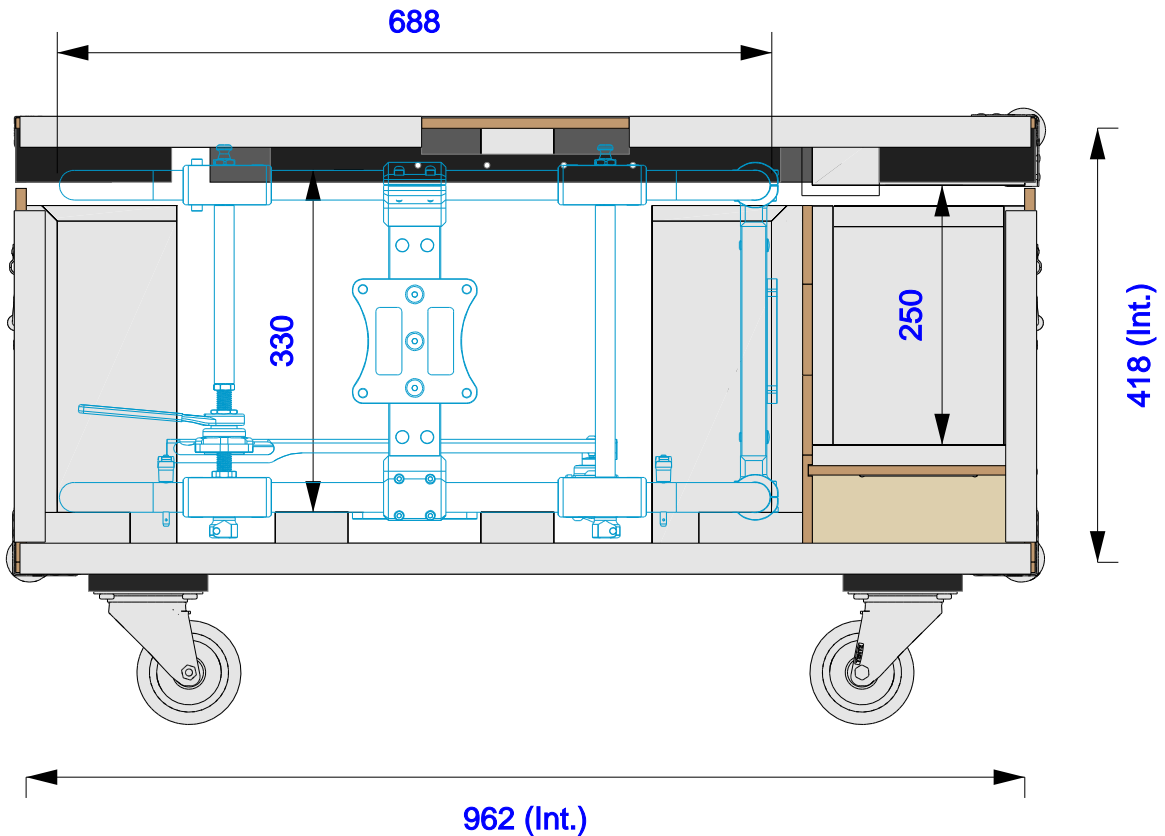
**Drawn By**  
Gerda

**Plan - Base only**  
± 2mm tolerance apply to cavity dimensions  
Unless stated otherwise



X12 Frame	ET-C1W300
Length: 684mm	Length: 160mm
Width: 618mm	Width: 160mm
Height: 330mm	Height: 250mm

**Front (filtered)**





**Part No**  
97085-1

**Drawn By**  
Gerda

**Underside - Lid only**

