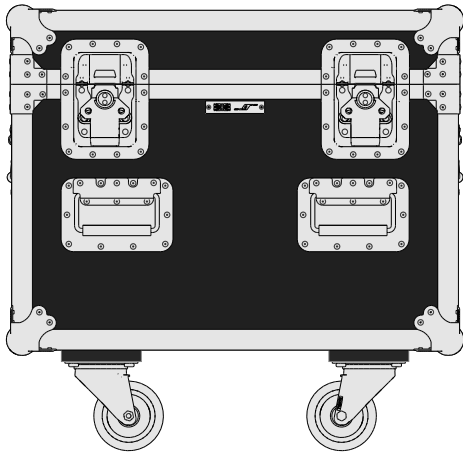




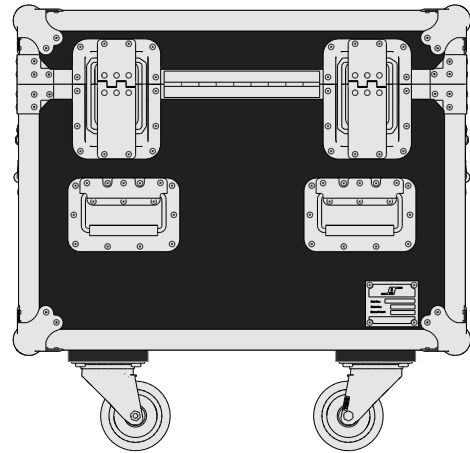
**Part No**  
97000-1

**Drawn By**  
Nick L

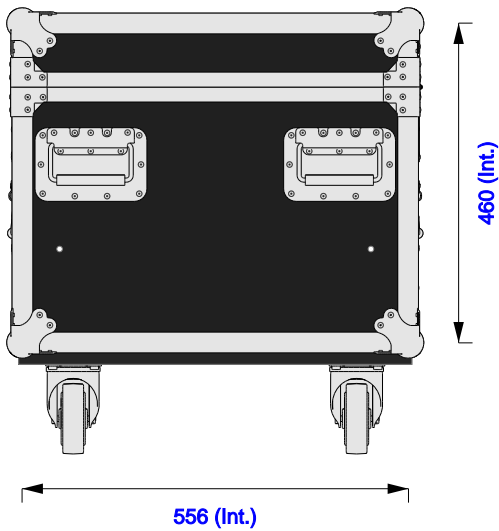
**Front**



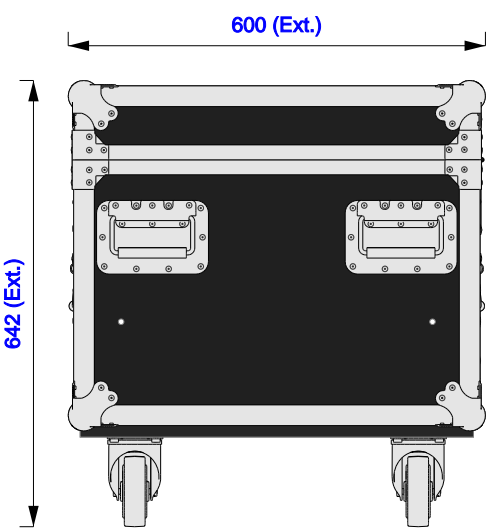
**Back**



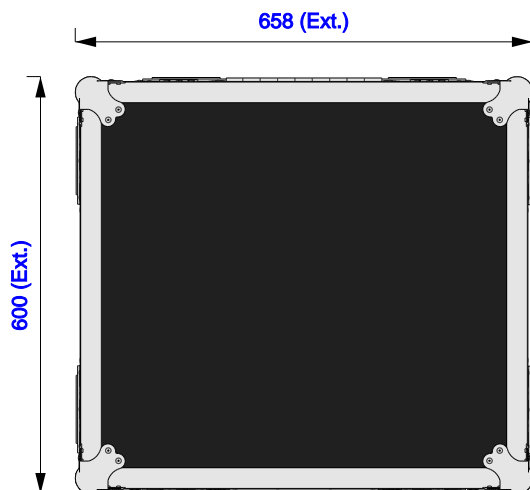
**Right**



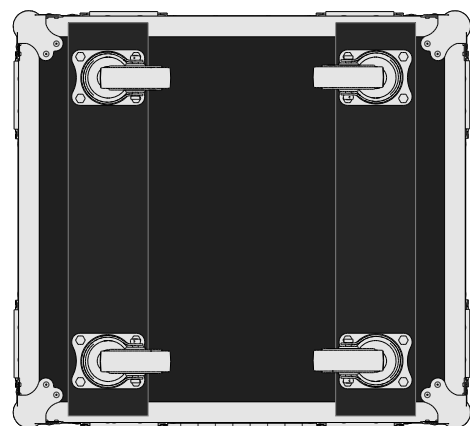
**Right**



**Plan**



**Underside**

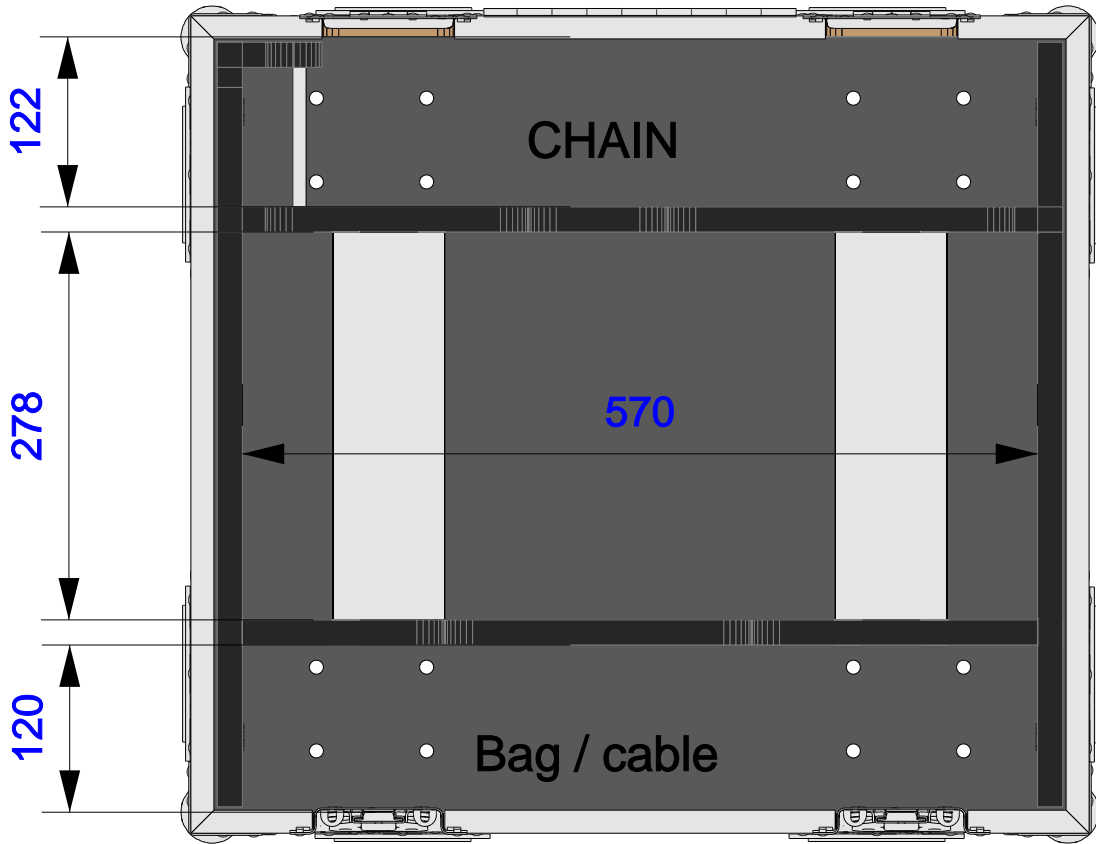




Part No  
97000-1

Drawn By  
Nick L

Plan - Base only



Underside - Lid only

