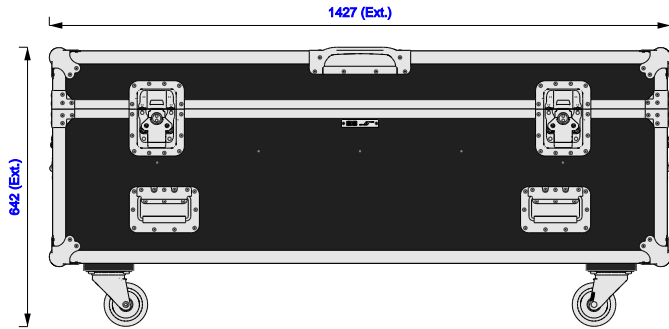




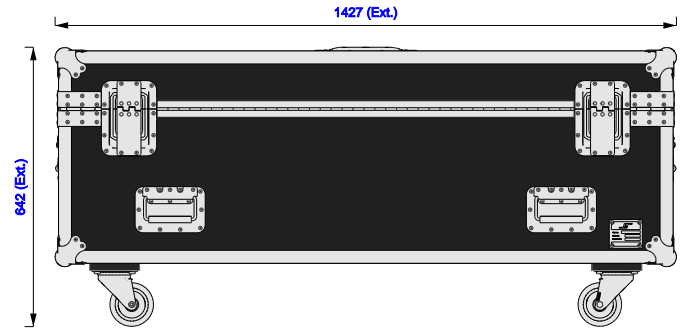
Part No
96981-1

Drawn By
Nick L

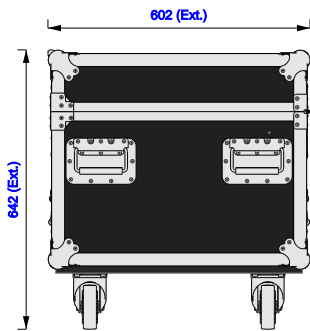
Front



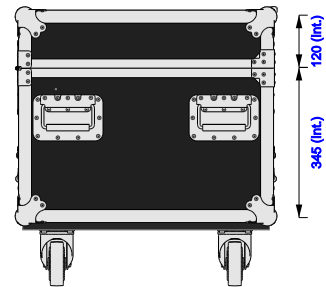
Back



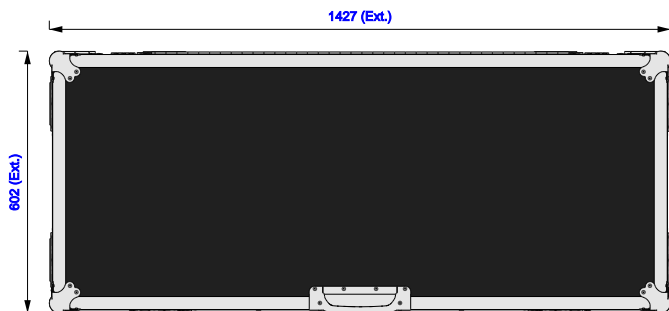
Right



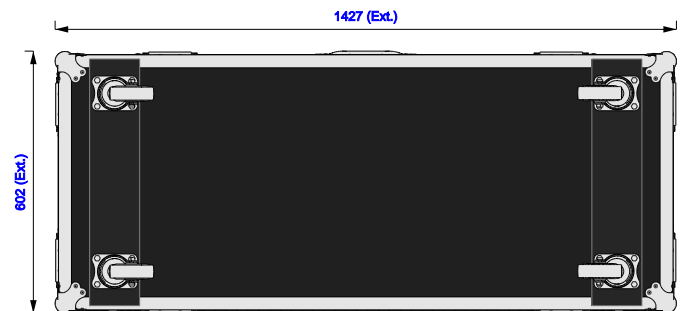
Left



Plan



Underside

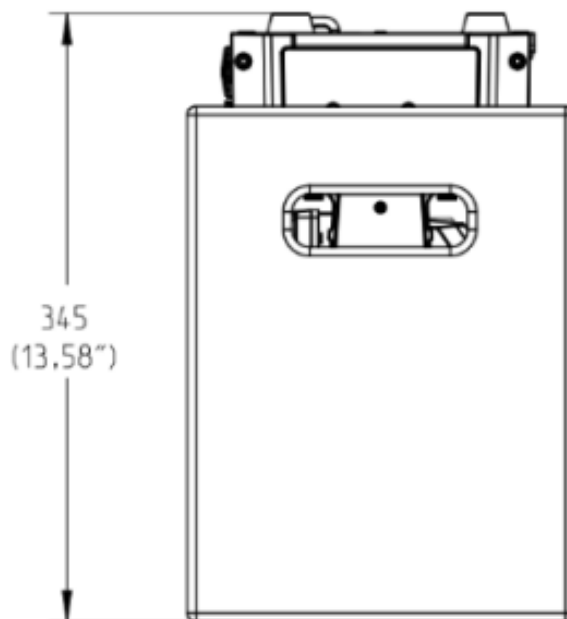
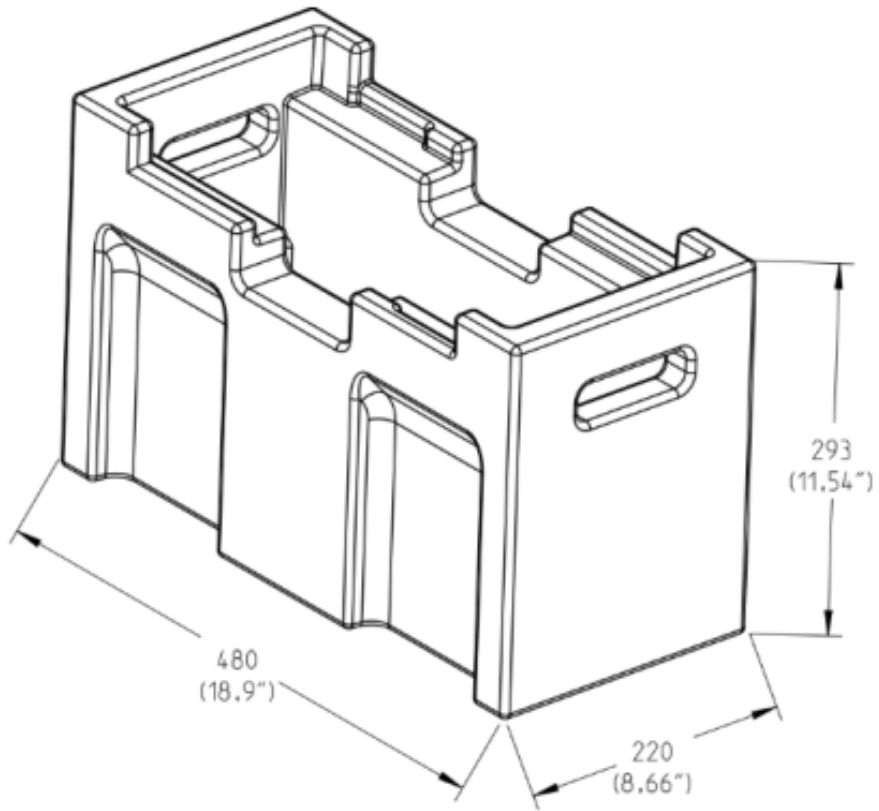




Part No
96981-1

Drawn By
Nick L

SIP Insert dimensions

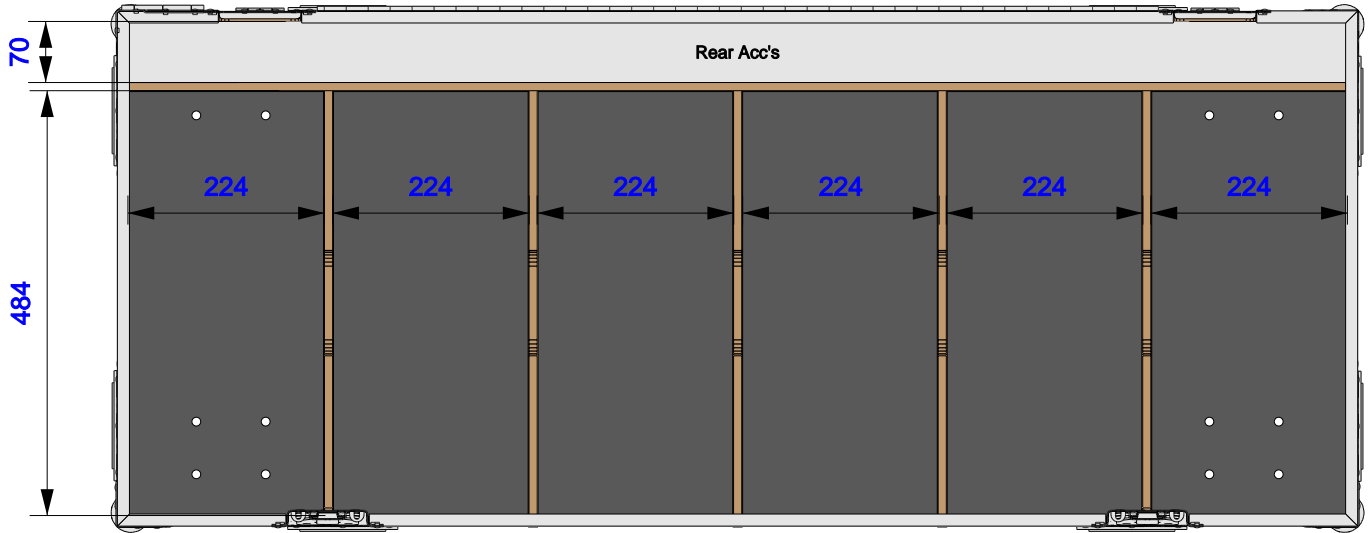




Part No
96981-1

Drawn By
Nick L

Plan - Base only



SIP INSERTS NOT INCLUDED

JDC Burst 1 in SIP

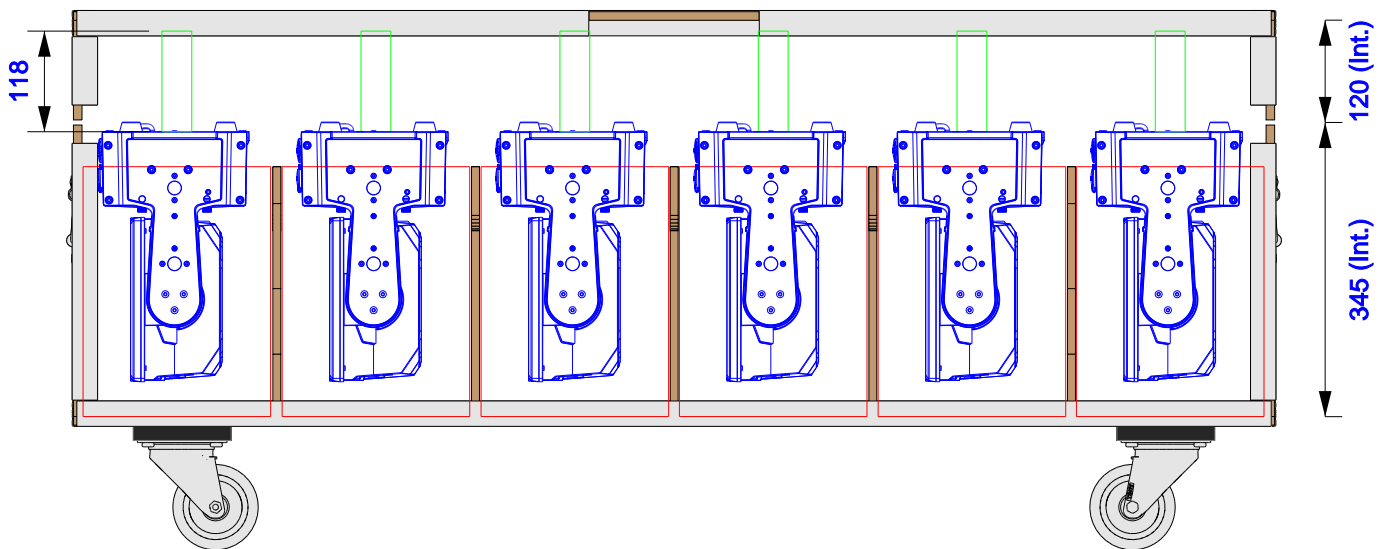
Length: 220mm

Width: 480mm

Height: 345mm

light with clamp attached

clamps attached





Part No
96981-1

Drawn By
Nick L

Underside - Lid only

