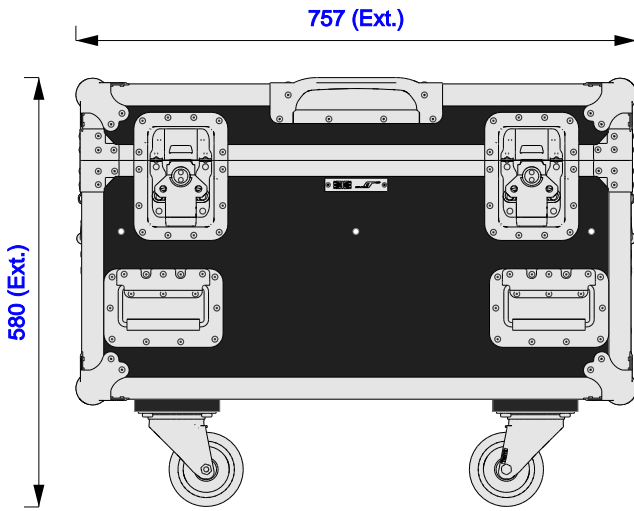




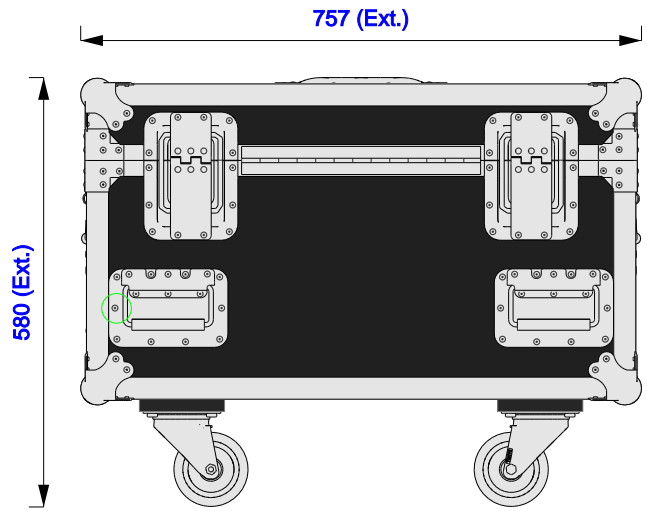
Part No
96948-1

Drawn By
Nick L

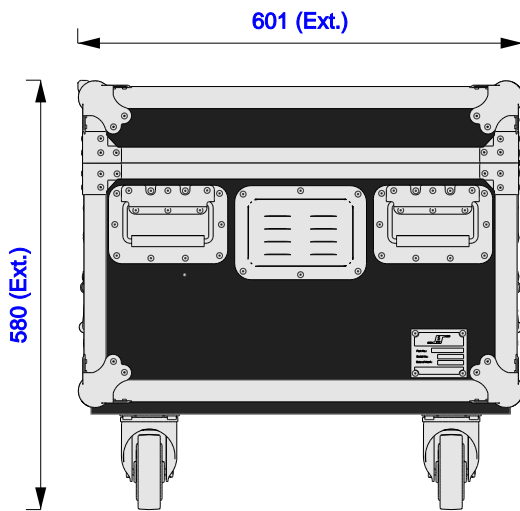
Front



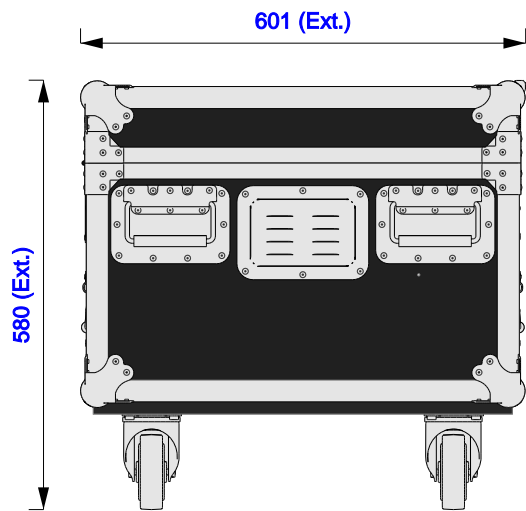
Back



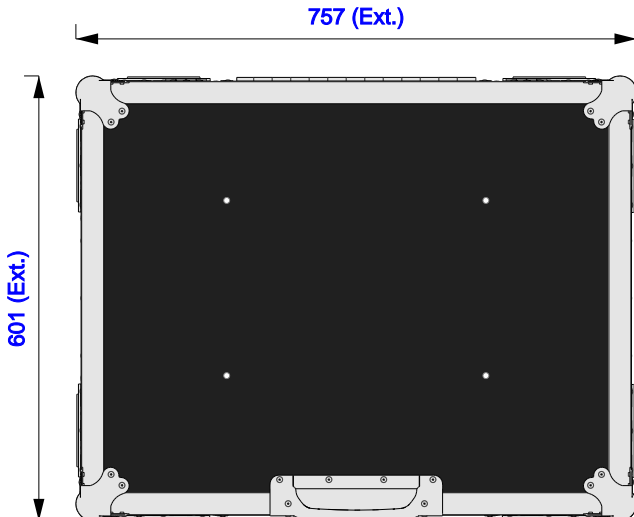
Right



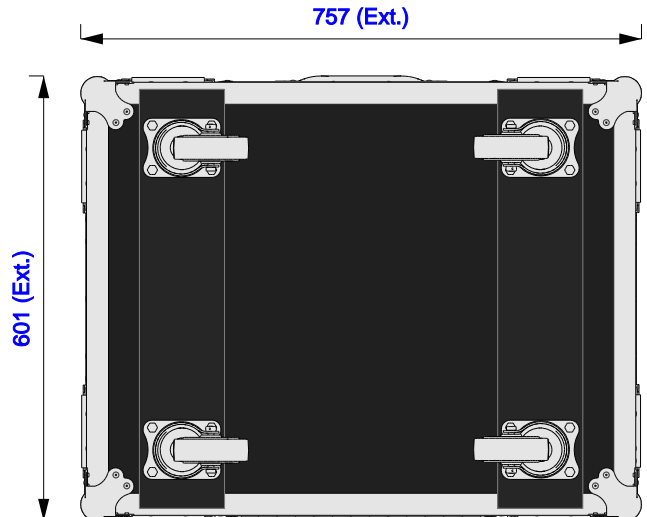
Left



Plan



Underside

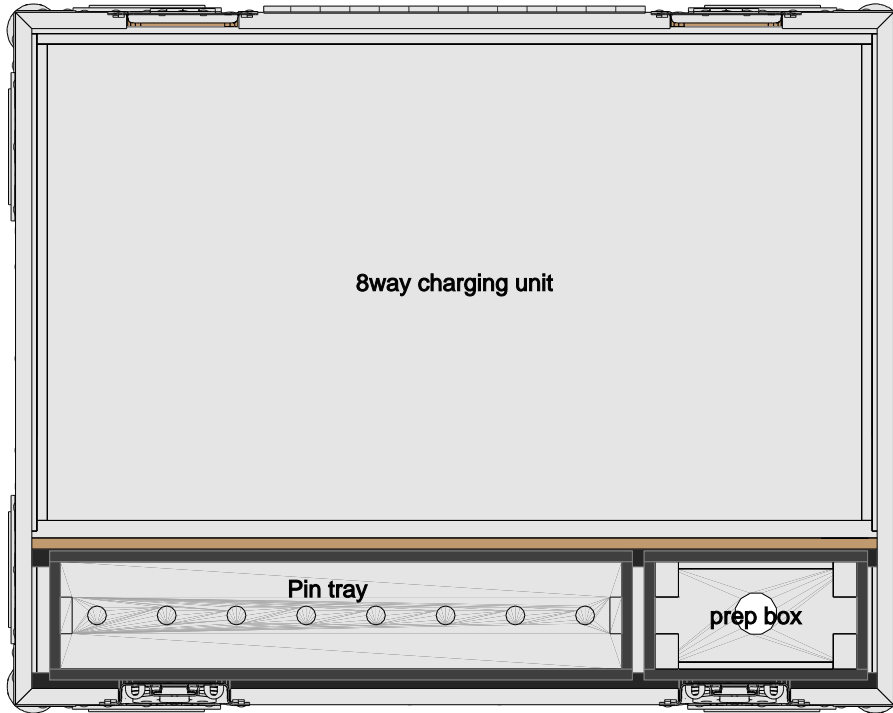




Part No
96948-1

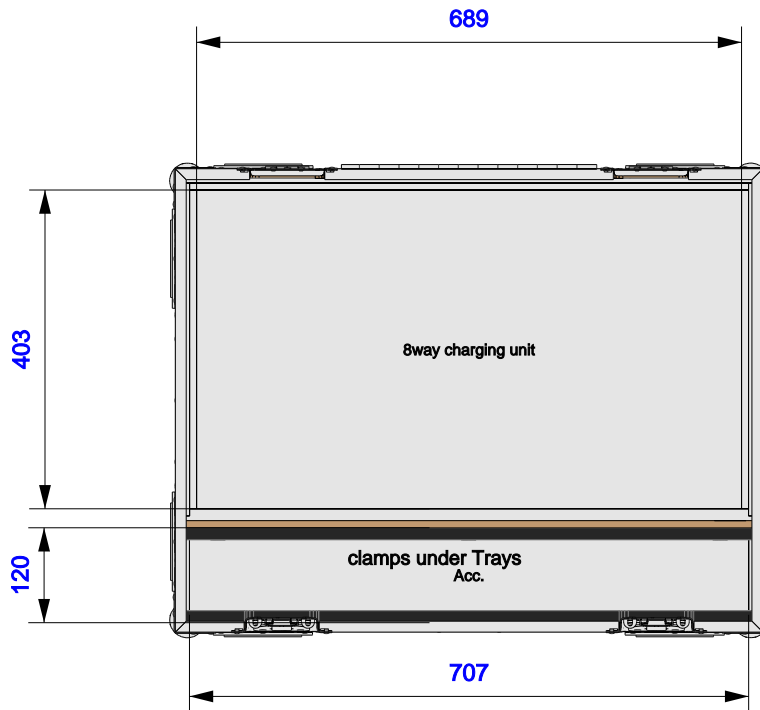
Drawn By
Nick L

Plan - Base only



8way charging unit
Length: 686mm
Width: 400mm
Height: 340mm

Plan - Base only Except Trays (filtered)



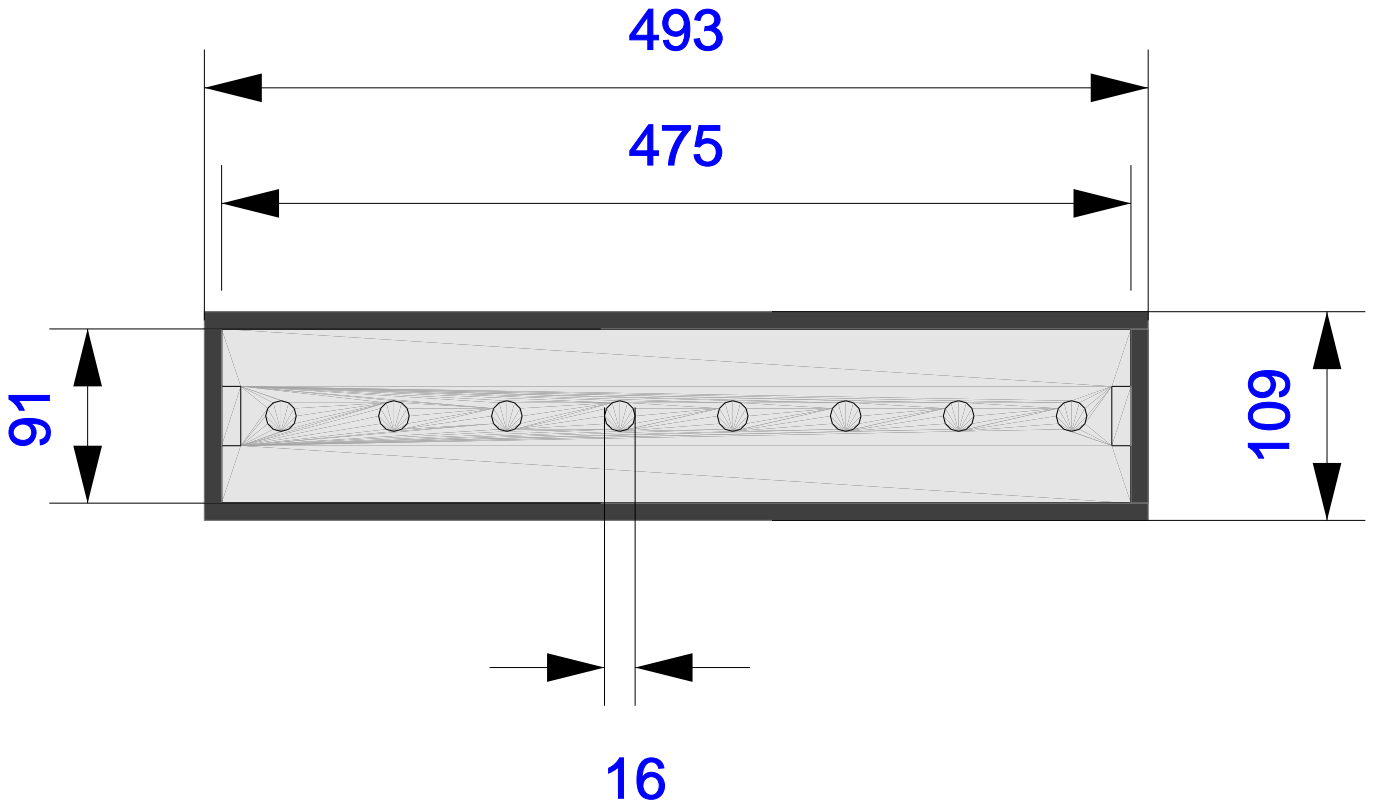
8way charging unit
Length: 686mm
Width: 400mm
Height: 340mm



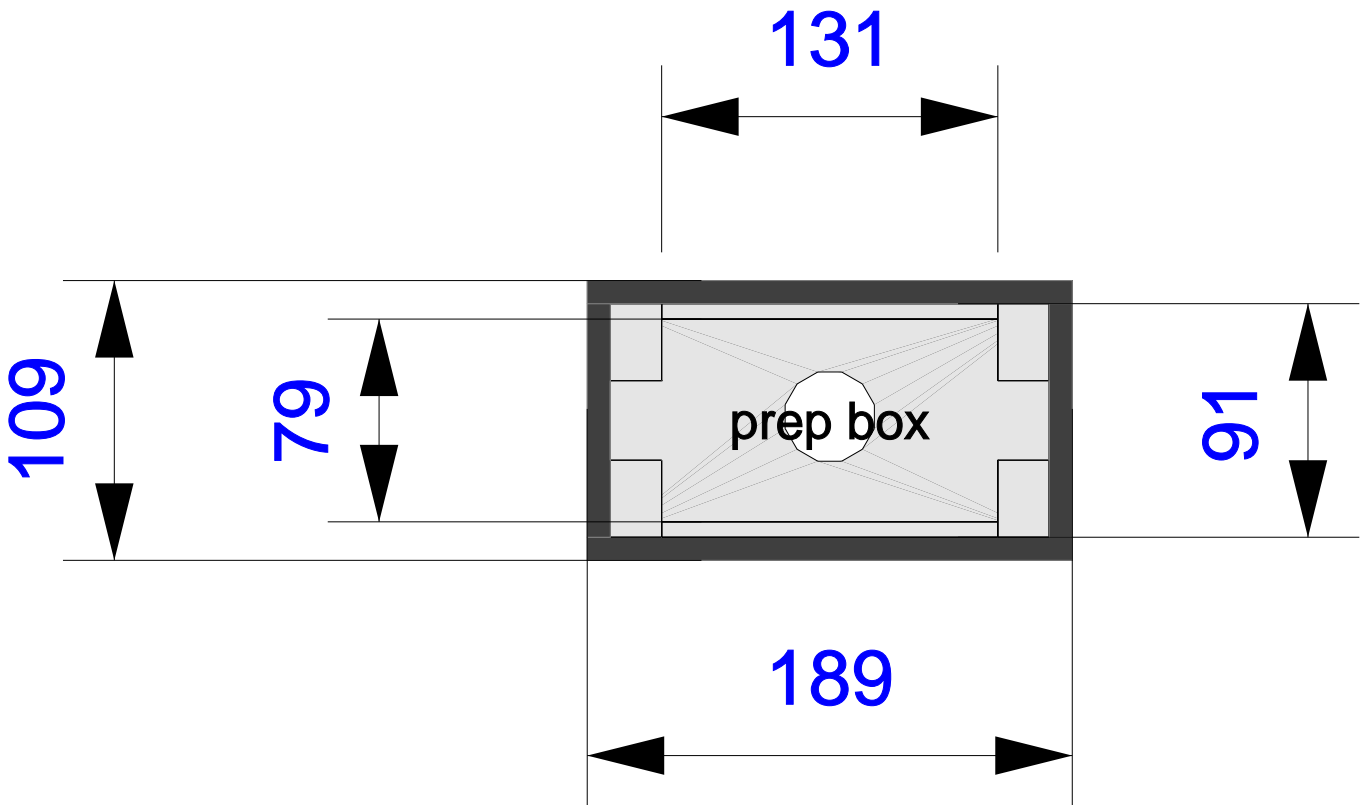
Part No
96948-1

Drawn By
Nick L

8way pin tray



prep box tray





Part No
96948-1

Drawn By
Nick L

Underside - Lid only

hinged Acc's boxes compartment in lid

