



Part No
96922-1

Drawn By
Daniel Green

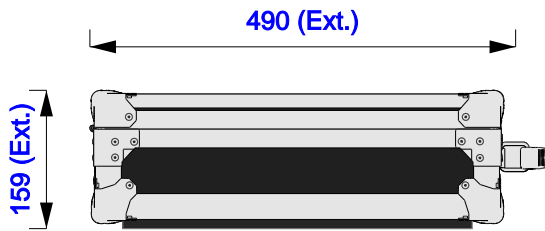
Front



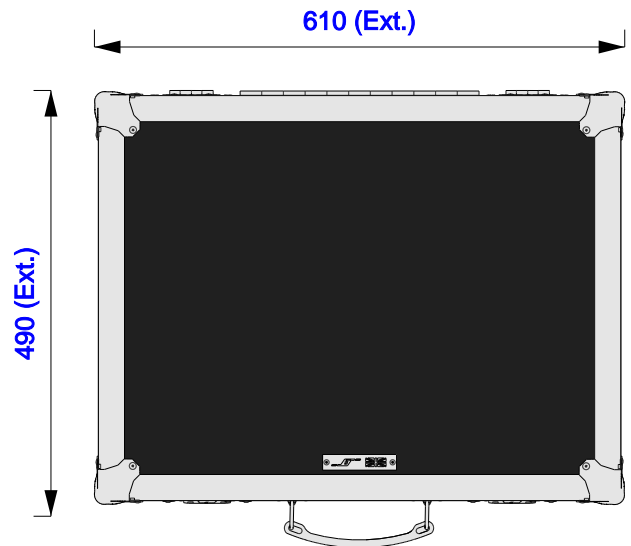
Back



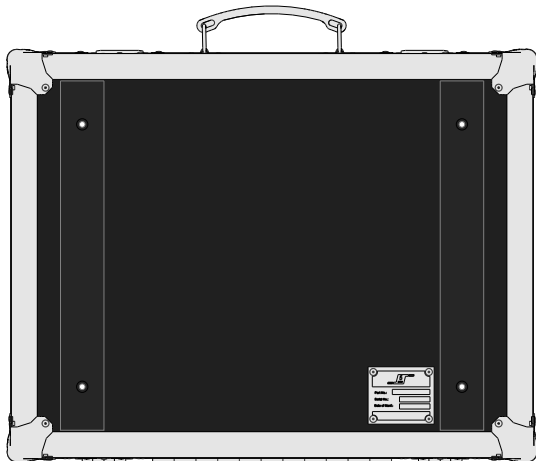
Left



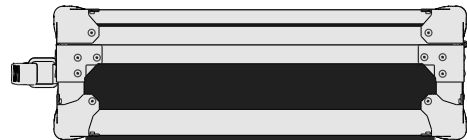
Plan



Underside



Right

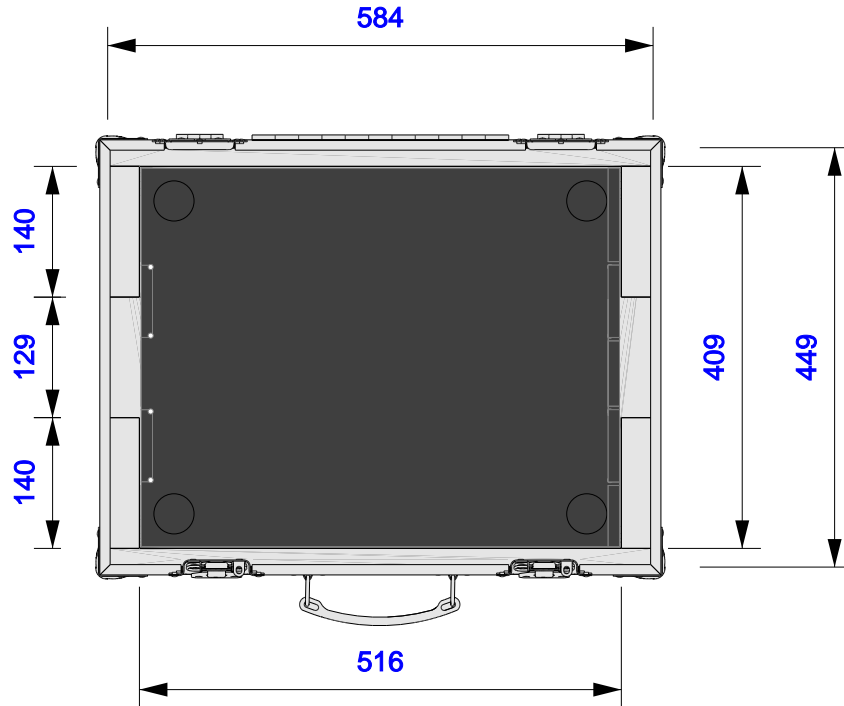




Part No
96922-1

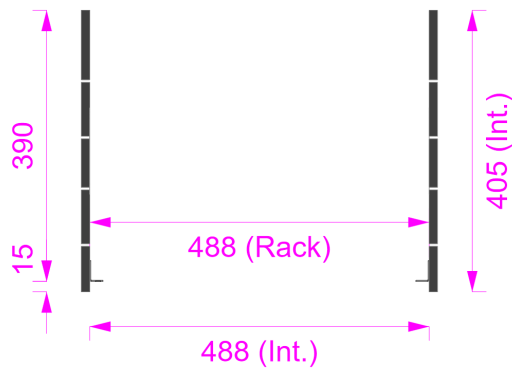
Drawn By
Daniel Green

Plan - Base only



1u Sleeve
Length: 512mm
Width: 405mm
Height: 78mm

Rack Strip Posisitons

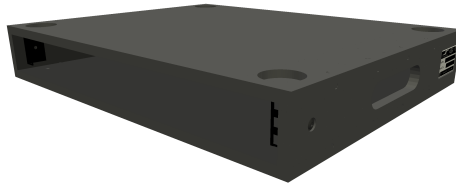




Part No
96922-1

Drawn By
Daniel Green

Sleeve only



Case only





Part No
96922-1

Drawn By
Daniel Green

Underside - Lid only

