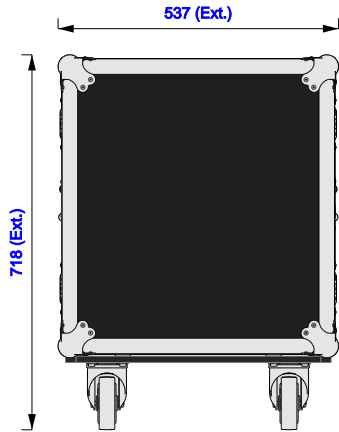




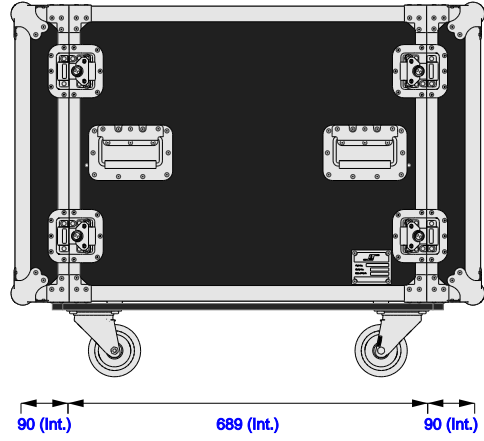
**Part No**  
96919-1

**Drawn By**  
Daniel Green

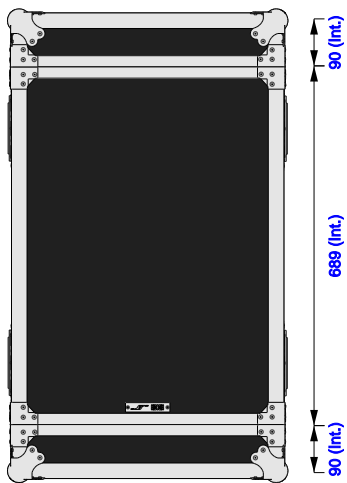
**Front**



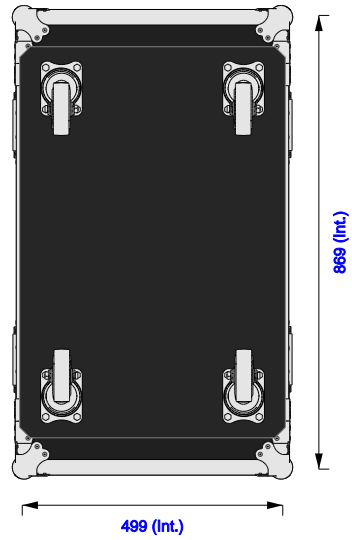
**Right**



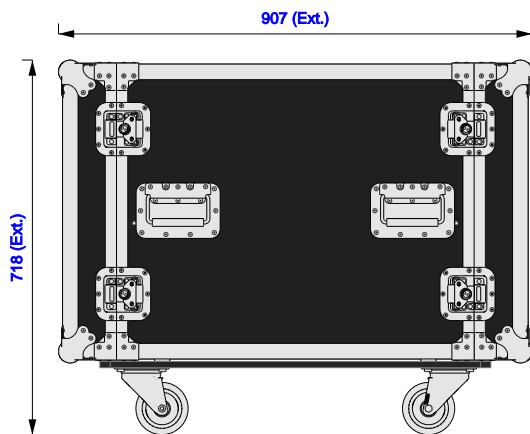
**Plan**



**Underside**



**Left**

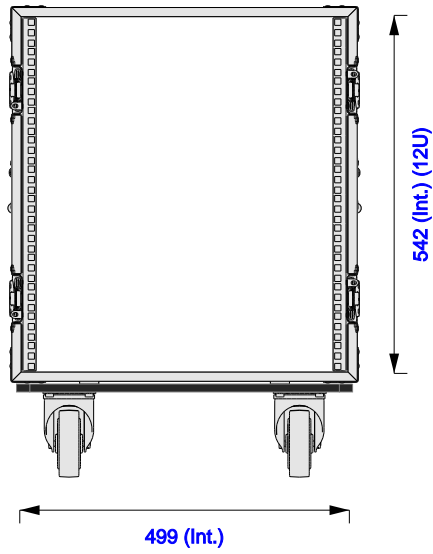




**Part No**  
96919-1

**Drawn By**  
Daniel Green

**Front - Body only**



**Rackstrip positions, plan view**

