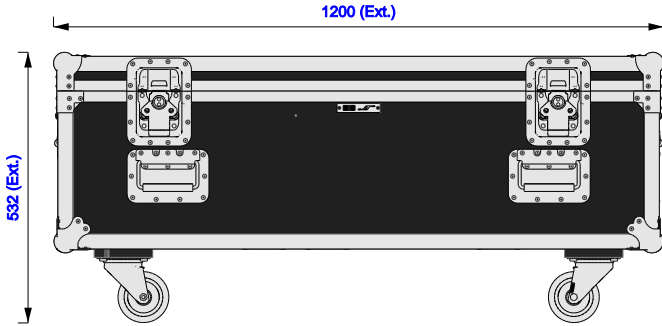




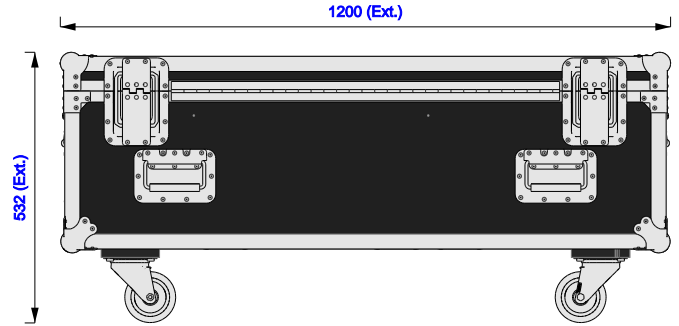
**Part No**  
96715-1

**Drawn By**  
Nick L

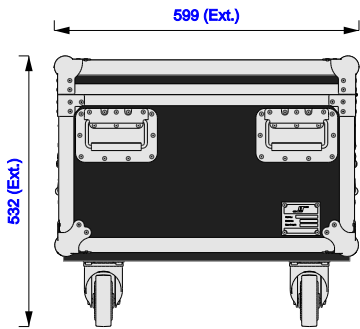
**Front**



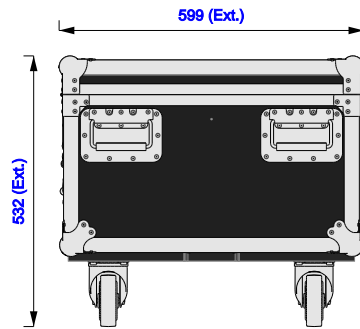
**Back**



**Right**



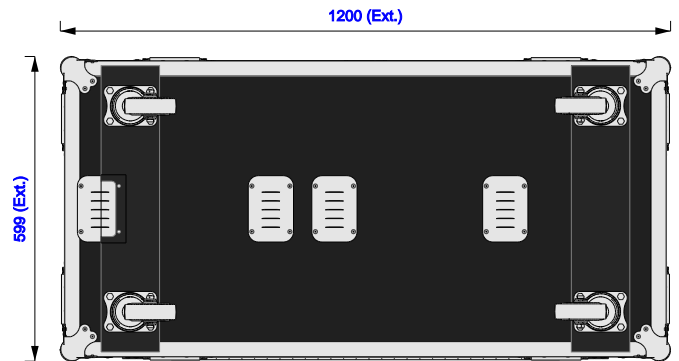
**Left**



**Plan**



**Underside**



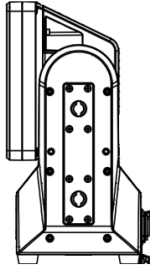


Part No  
96715-1

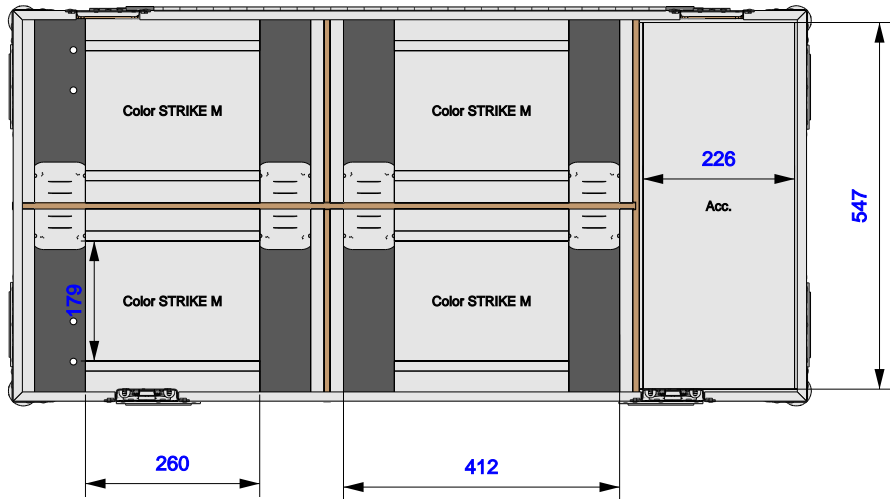
Drawn By  
Nick L

Plan - Base only

± 3mm tolerance apply to cavity dimensions.  
Unless stated otherwise.



LIGHT IN THIS ORIENTATION WHEN HOUSED IN CASE  
(NO HOOK OR BRACKET ALLOWED FOR)



Color STRIKE M  
Length: 408mm  
Width: 175mm  
Height: 298mm

Underside - Lid only

