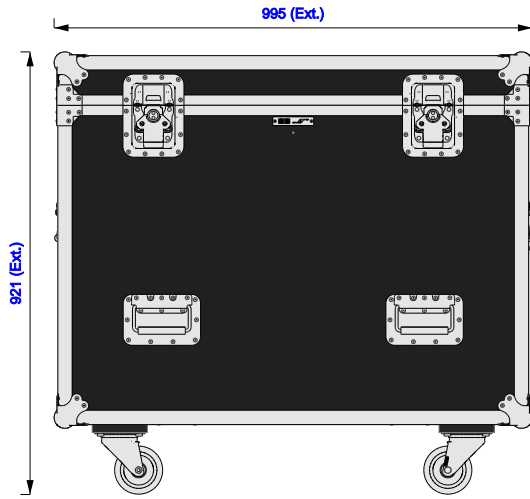




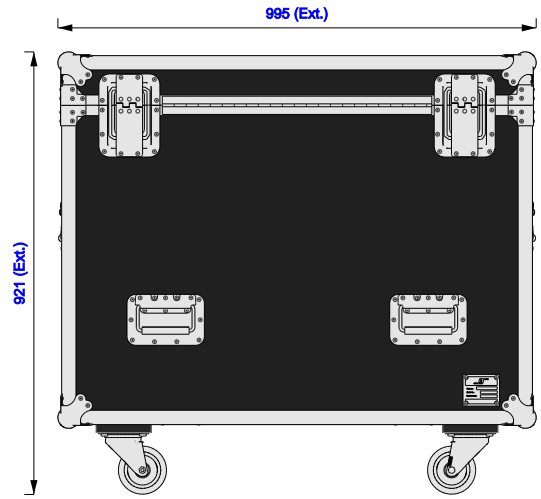
Part No  
96708-1

Drawn By  
Nick L

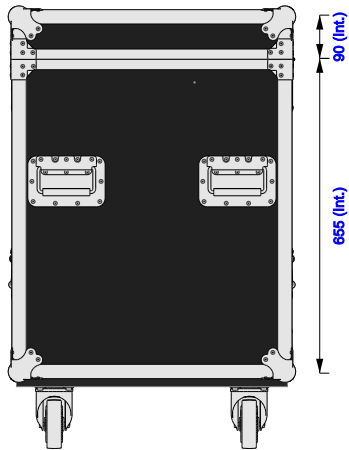
Front



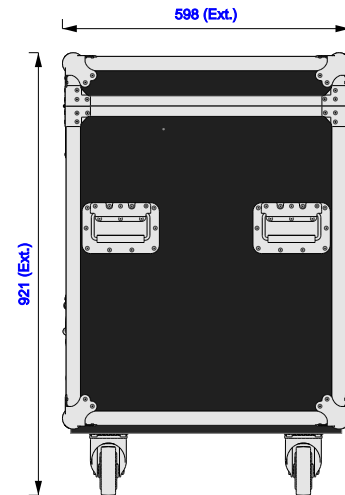
Back



Right

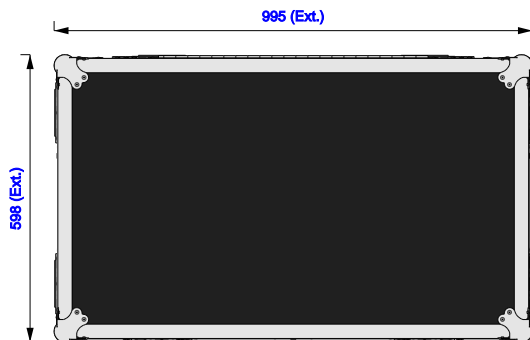


Left

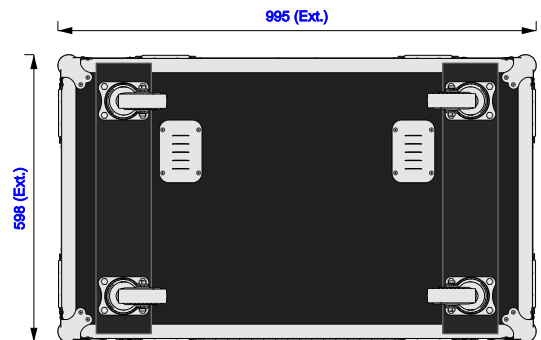


± 3mm tolerance apply to cavity dimensions.  
Unless stated otherwise.

Plan



Underside

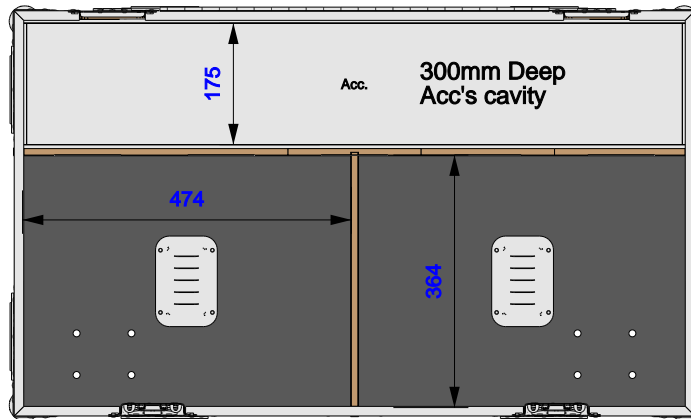




**Part No**  
96708-1

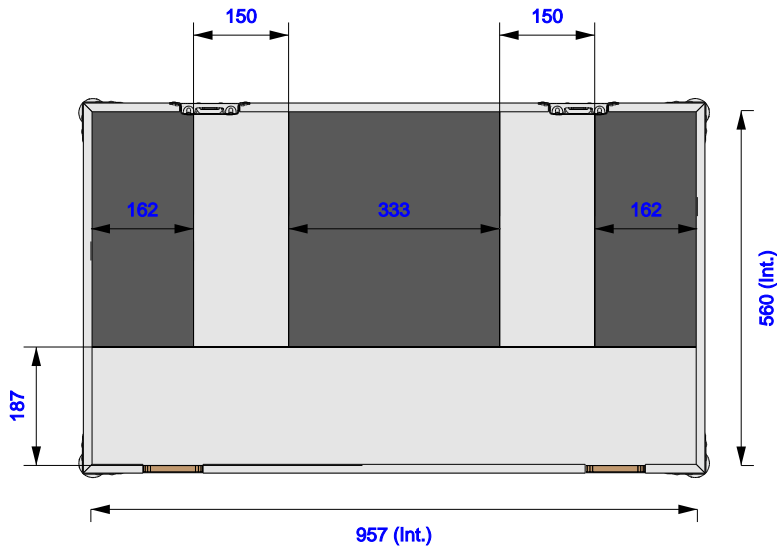
**Drawn By**  
Nick L

**Plan - Base only**

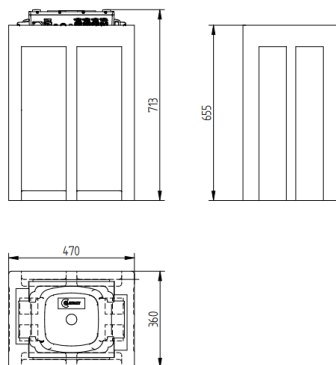


Aqua M-LT in SIP  
Length: 470mm  
Width: 360mm  
Height: 713mm

**Underside - Lid only**



**Plan - no sections selected**



**SIP insert not included**

Aqua M-LT in SIP  
Length: 470mm  
Width: 360mm  
Height: 713mm