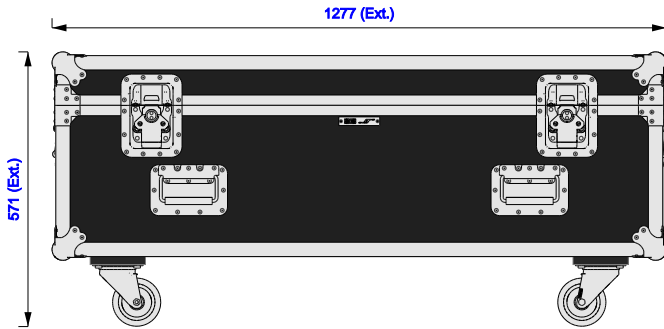




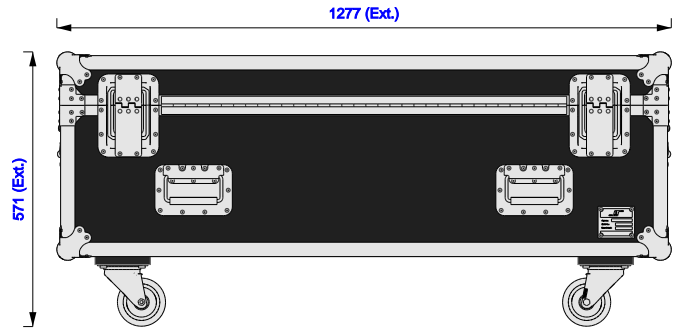
Part No
96677-1

Drawn By
Daniel Green

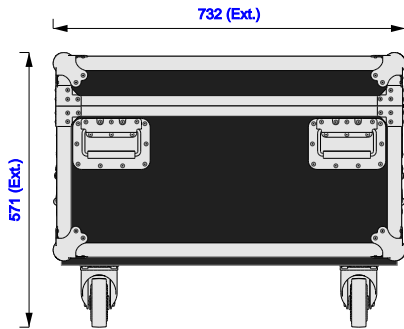
Front



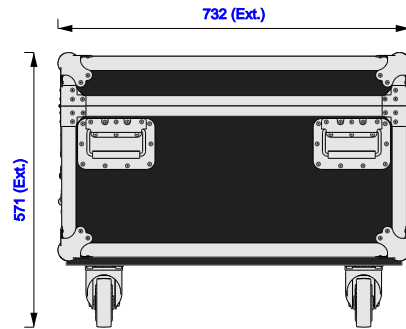
Back



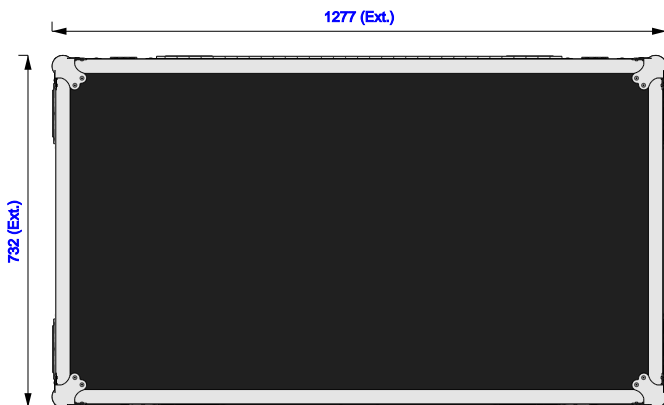
Right



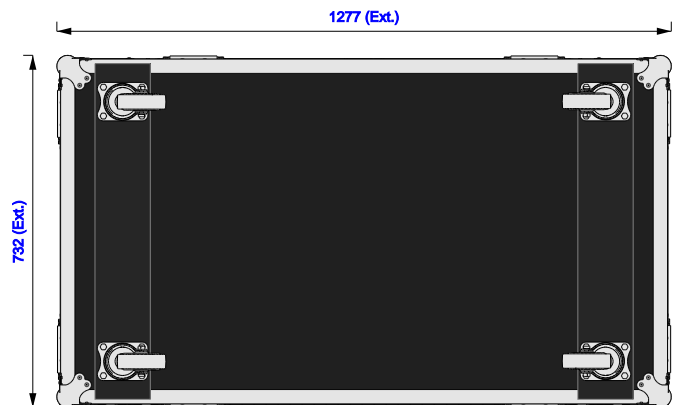
Left



Plan



Underside



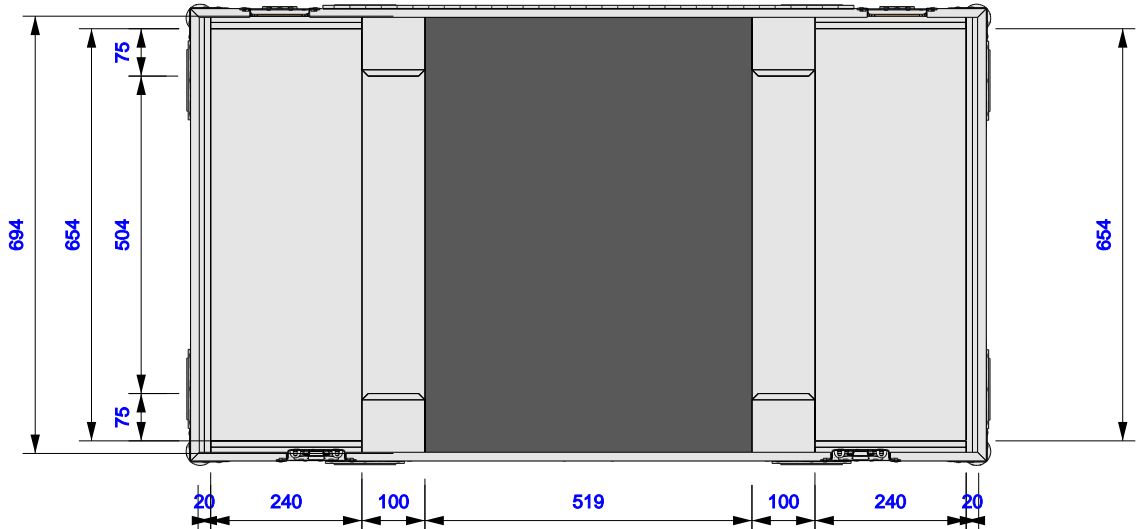


Part No
96677-1

Drawn By
Daniel Green

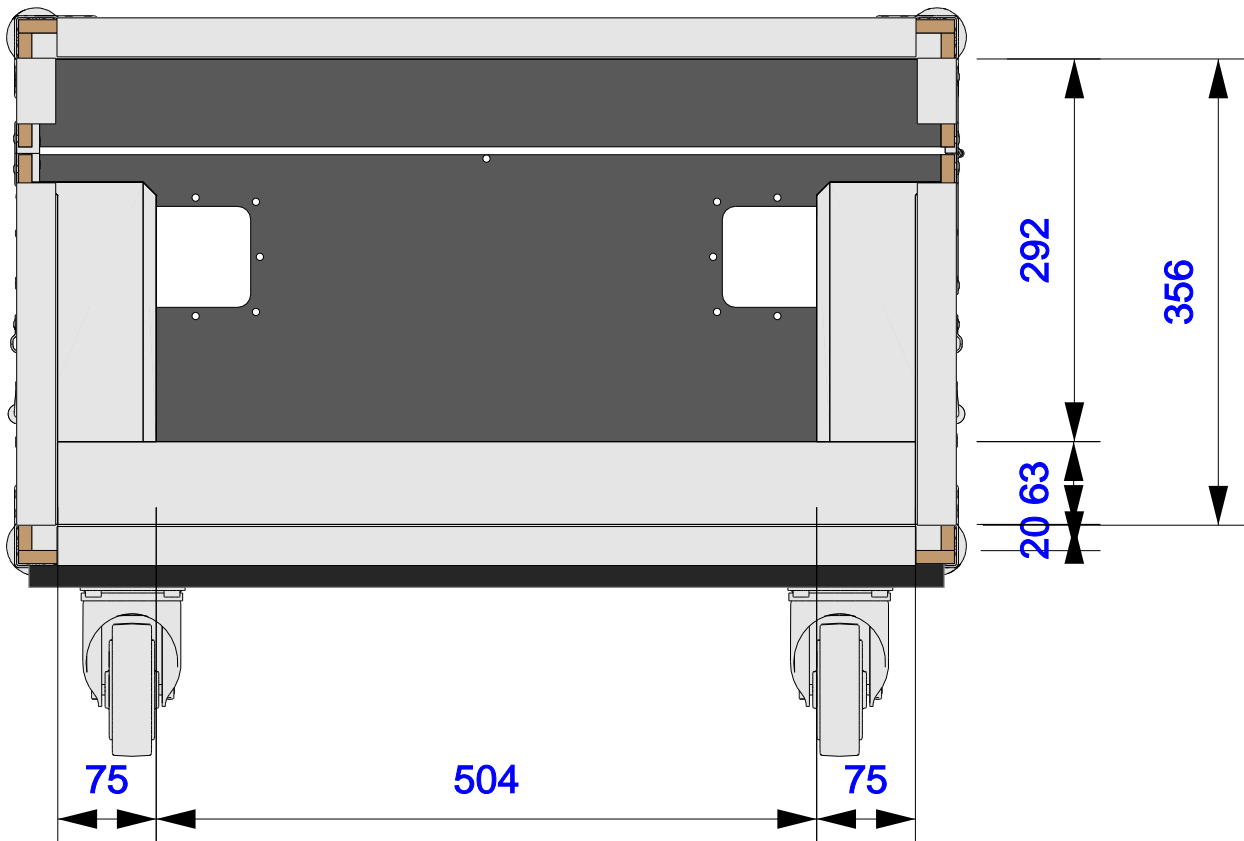
Plan - Base only

± 3mm tolerance apply to cavity dimensions.
Unless stated otherwise.



Orator Black Lectern
Length: 1195mm
Width: 650mm
Height: 355mm

Cross Section





Part No
96677-1

Drawn By
Daniel Green

Underside - Lid only

