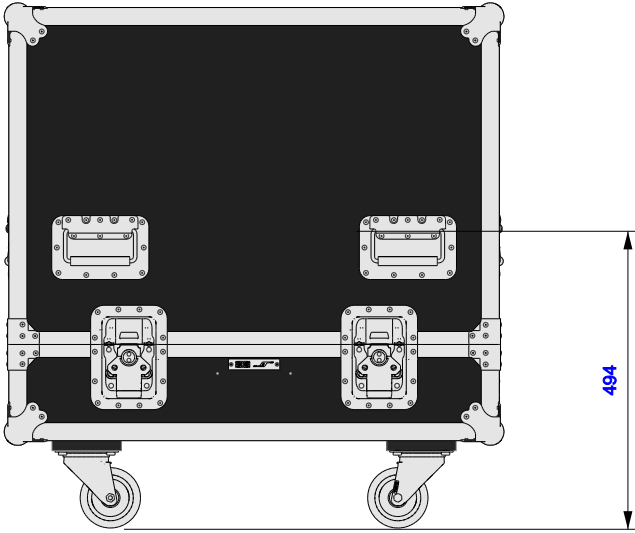




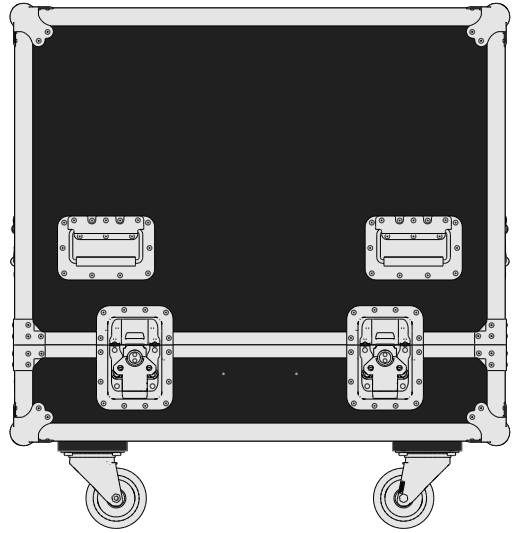
Part No
96667-1

Drawn By
Nick L

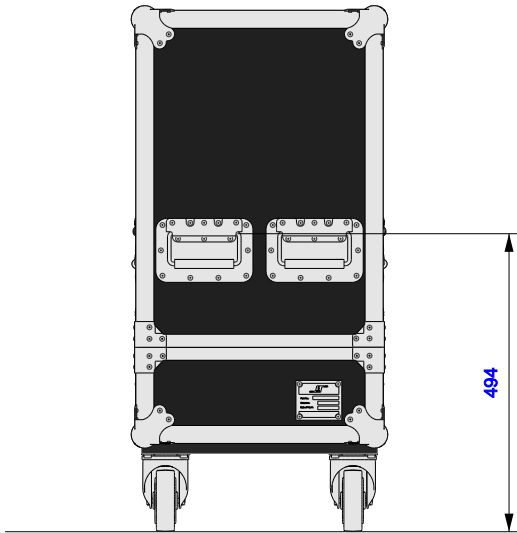
Front



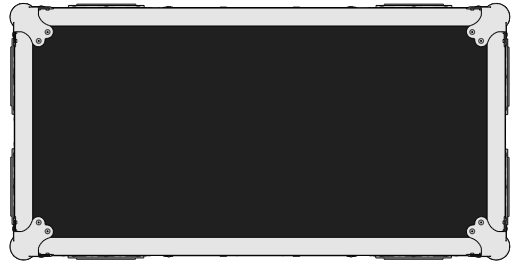
Back



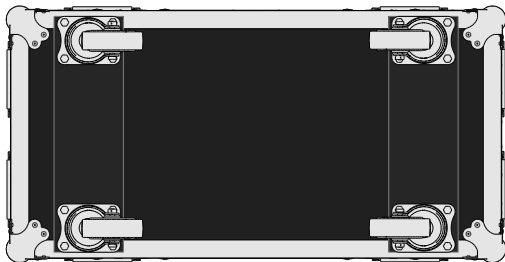
Right



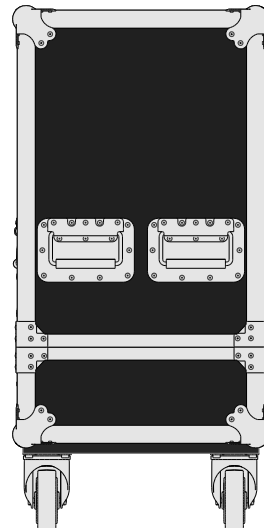
Plan



Underside



Left



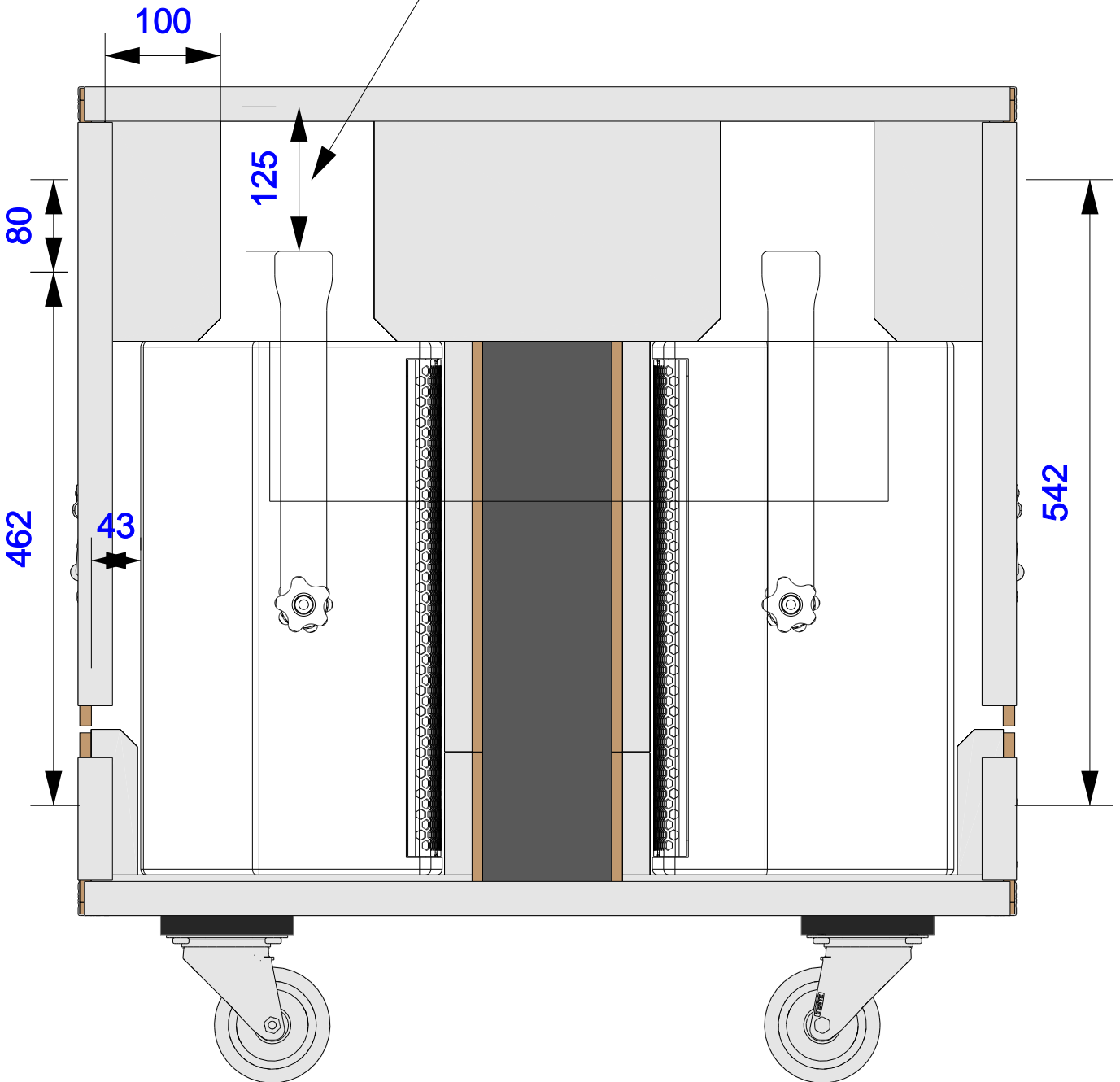


Part No
96667-1

Drawn By
Nick L

Front (filtered)

Allowing for clamp



EMS-81X
Length: 261mm
Width: 262mm
Height: 539mm

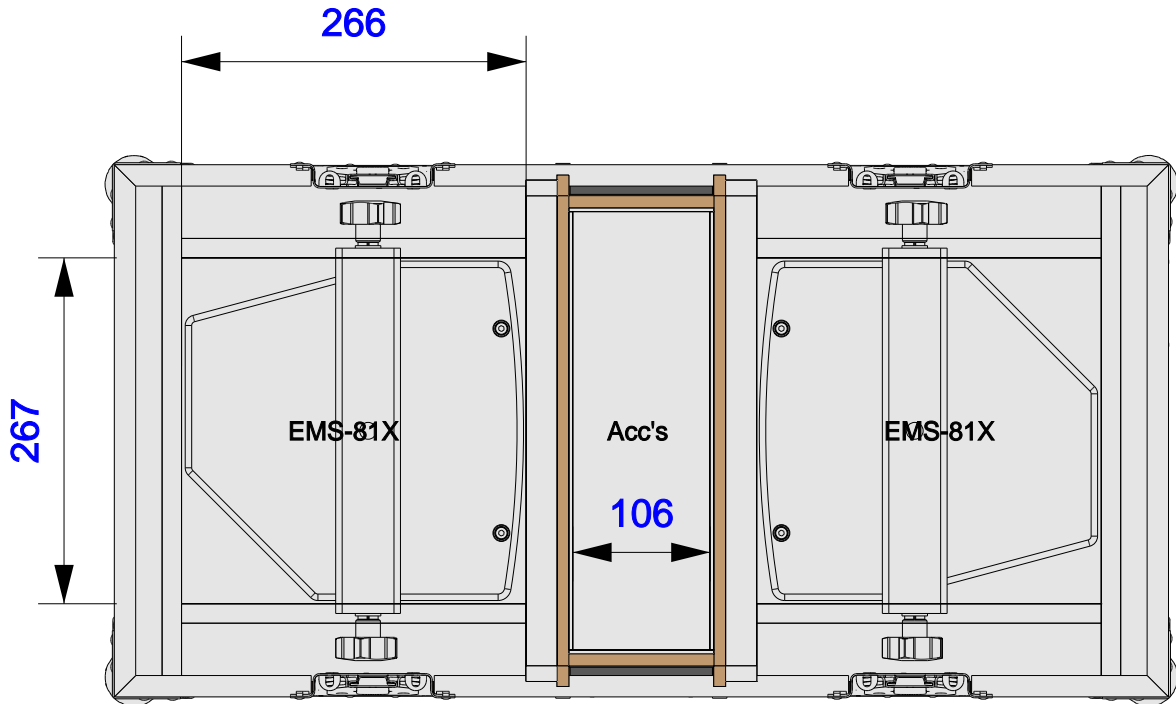
Extra Height
clamp
120mm



Part No
96667-1

Drawn By
Nick L

Plan - Base only



EMS-81X
Length: 261mm
Width: 262mm
Height: 539mm
Extra Height
clamp
120mm

Underside - Lid only

