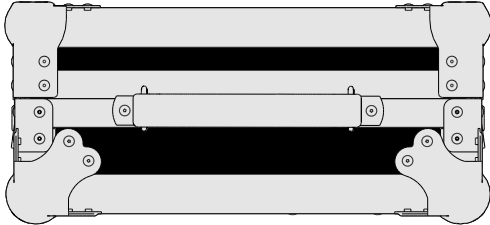




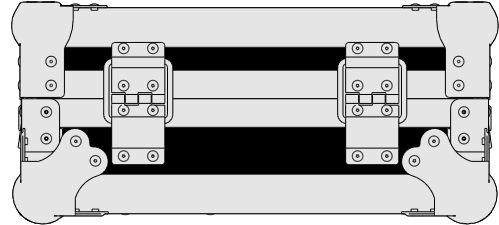
Part No
96640-1

Drawn By
Daniel Green

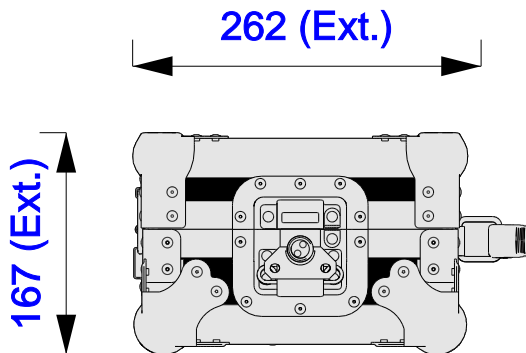
Front



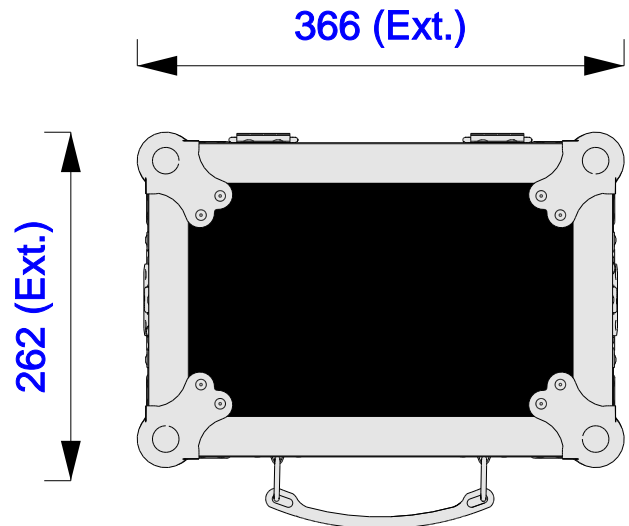
Back



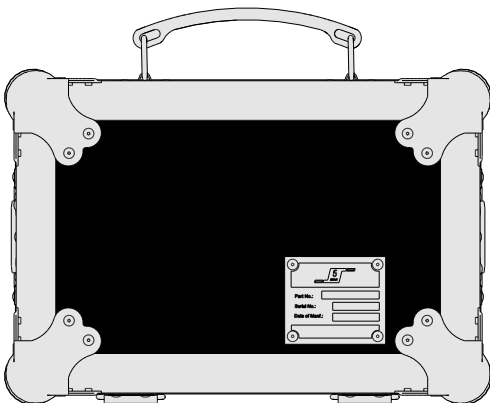
Left



Plan



Underside

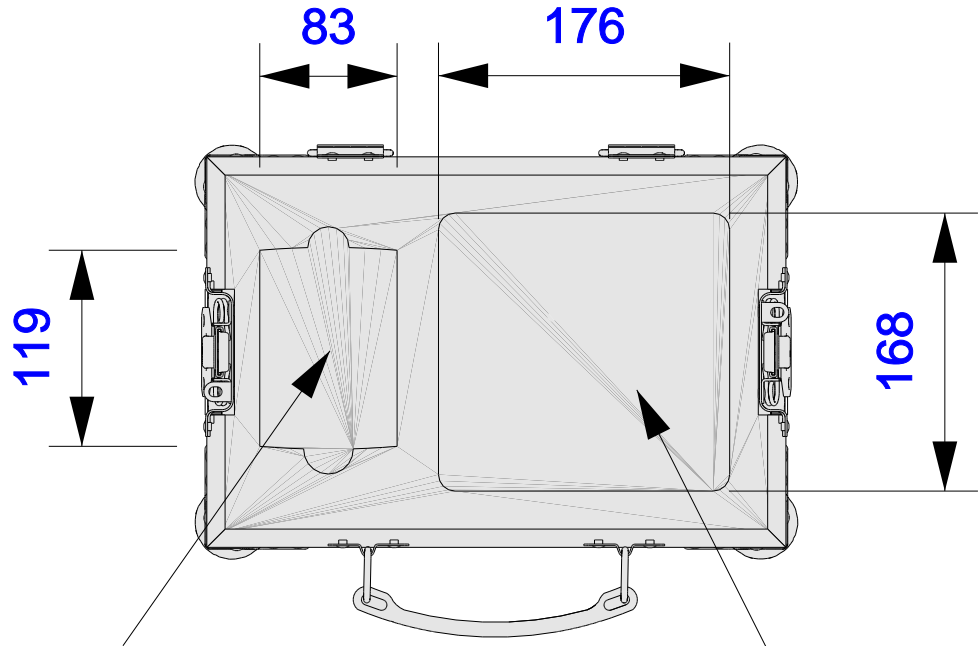




Part No
96640-1

Drawn By
Daniel Green

Plan - Base only



**30mm Deep
Decimator MD -CROSS V2**

**70mm Deep
acc. compartment**

Underside - Lid only

