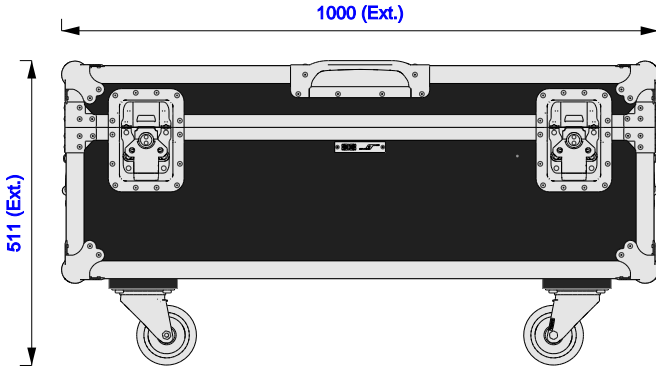




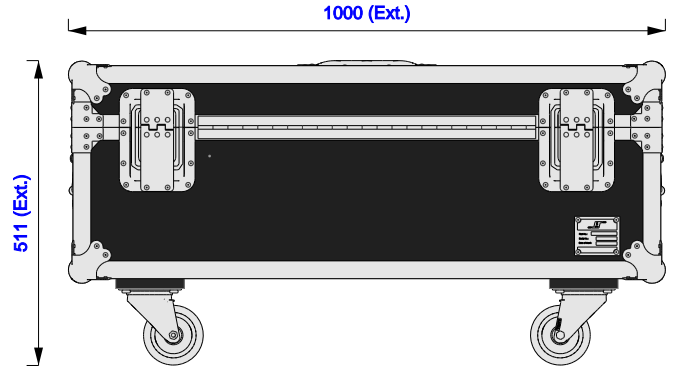
Part No
96598-1

Drawn By
Andy L

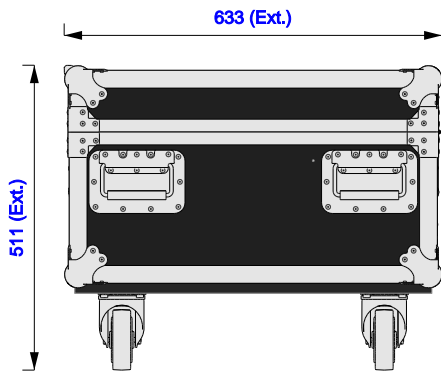
Front



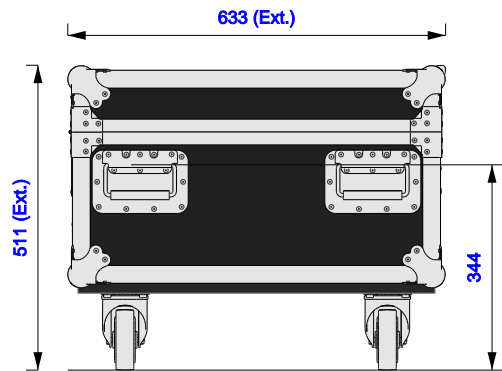
Back



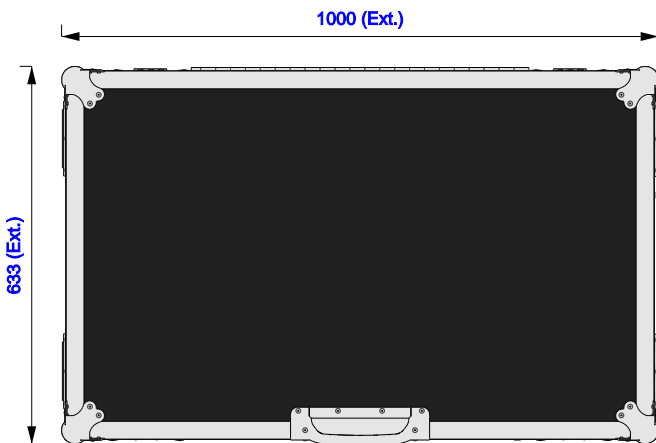
Right



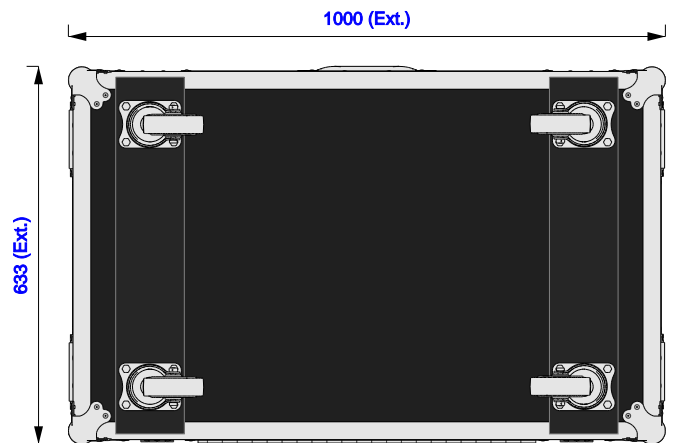
Left



Plan



Underside



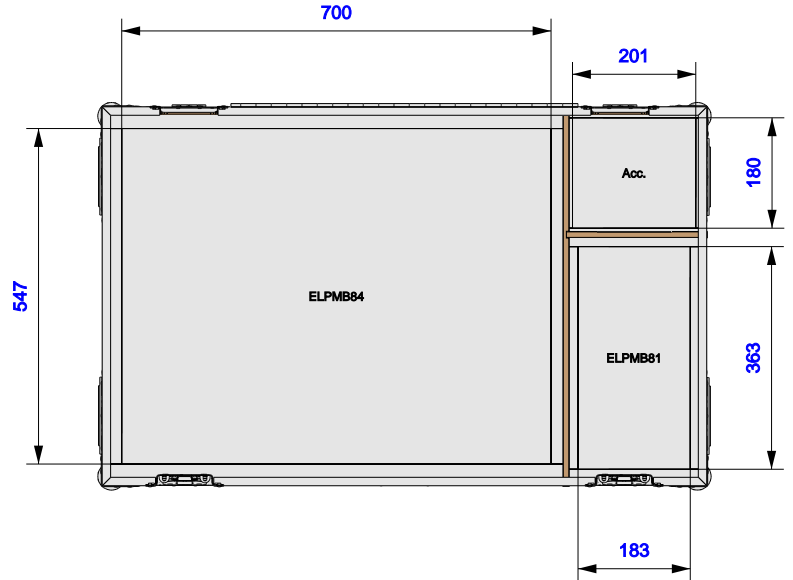


Part No
96598-1

Drawn By
Andy L

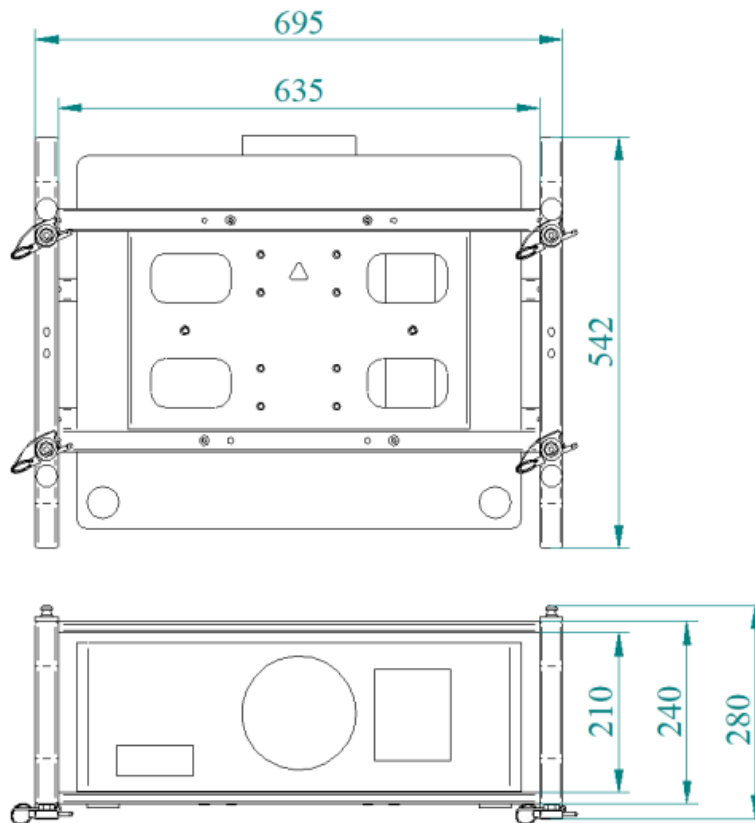
Plan - Base only

± 3mm tolerance apply to cavity dimensions.
Unless stated otherwise.



ELPMB84	ELPMB81
Length: 695mm	Length: 180mm
Width: 542mm	Width: 360mm
Height: 280mm	Height: 180mm

ELPMB84 Projector Frame





Part No
96598-1

Drawn By
Andy L

Underside - Lid only

**Projector frame protrudes into lid
by 66mm.**

