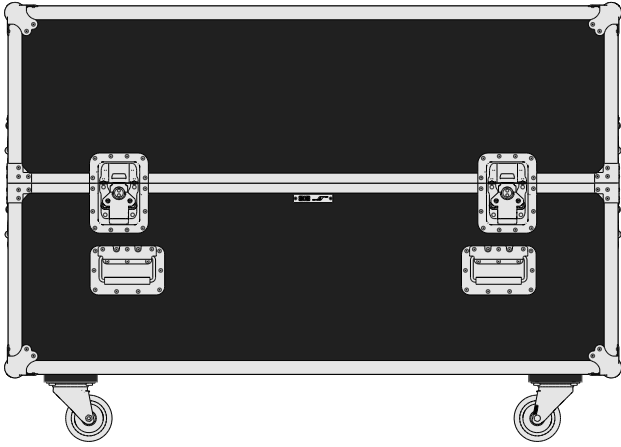




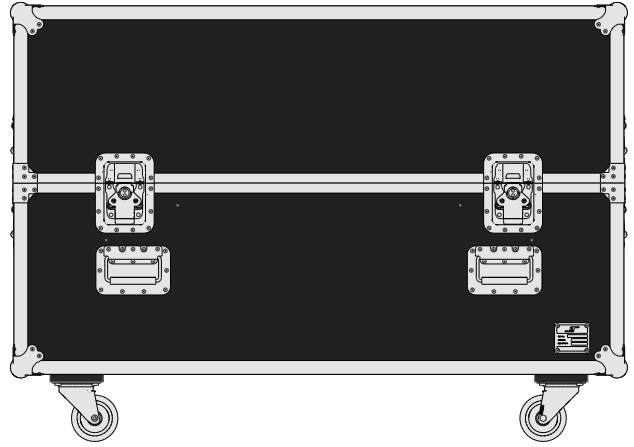
Part No
96406-1

Drawn By
Andy L

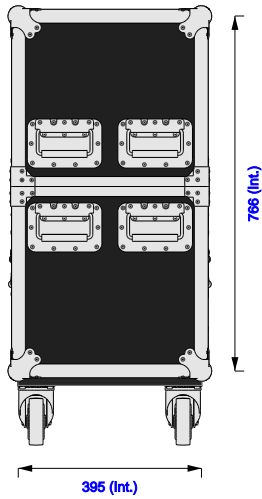
Front



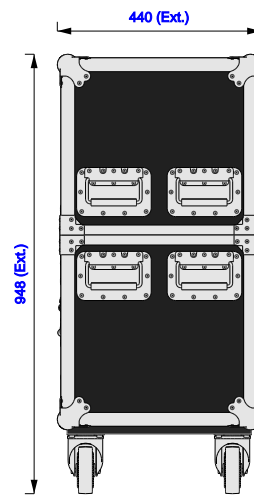
Back



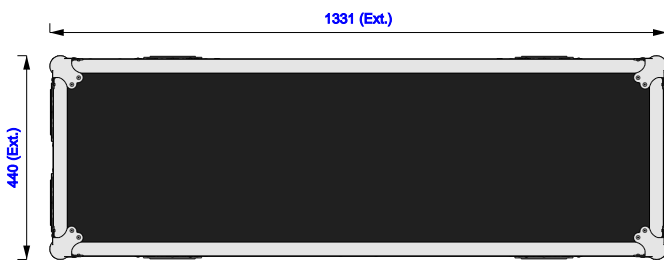
Right



Left



Plan



Underside

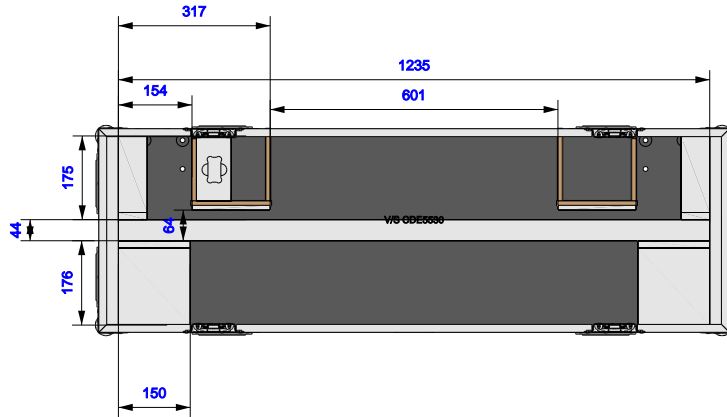




Part No
96406-1

Drawn By
Andy L

Plan - Base only



V/S CDE5530
Length: 1233mm
Width: 42mm
Height: 705mm

Underside - Lid only

