



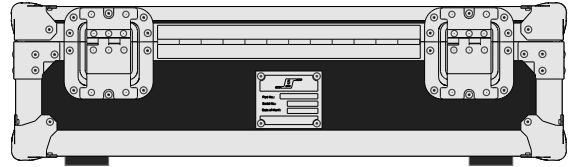
**Part No**  
96310-1

**Drawn By**  
Nick L

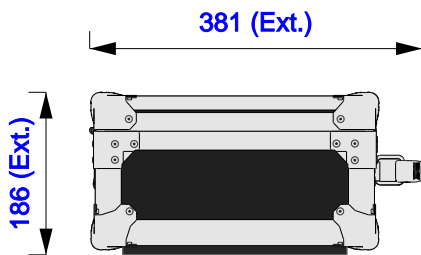
**Front**



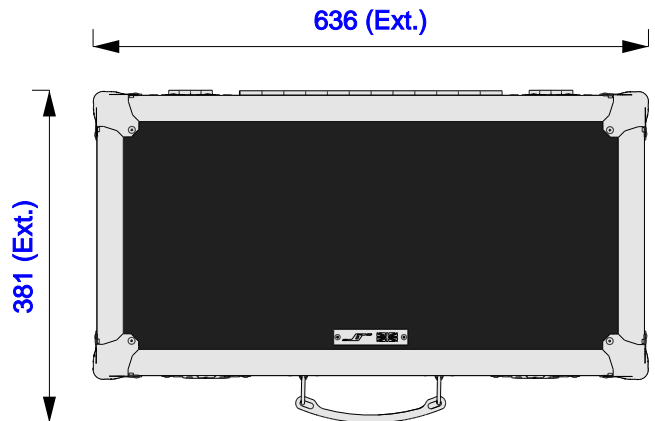
**Back**



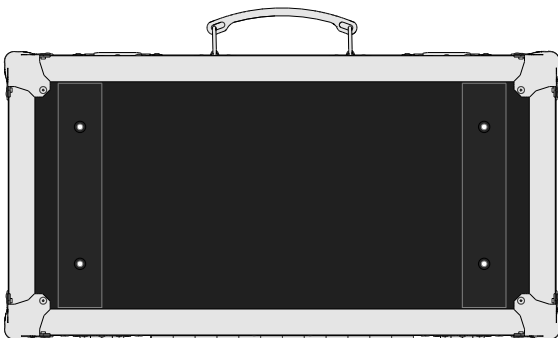
**Left**



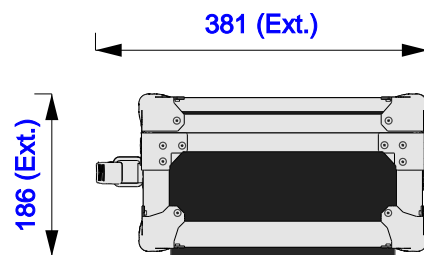
**Plan**



**Underside**



**Right**

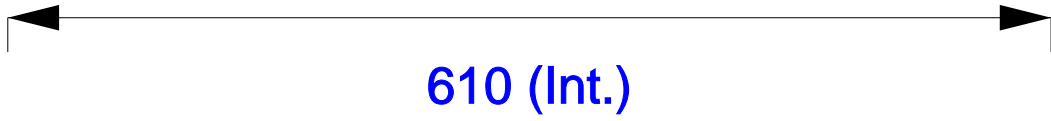
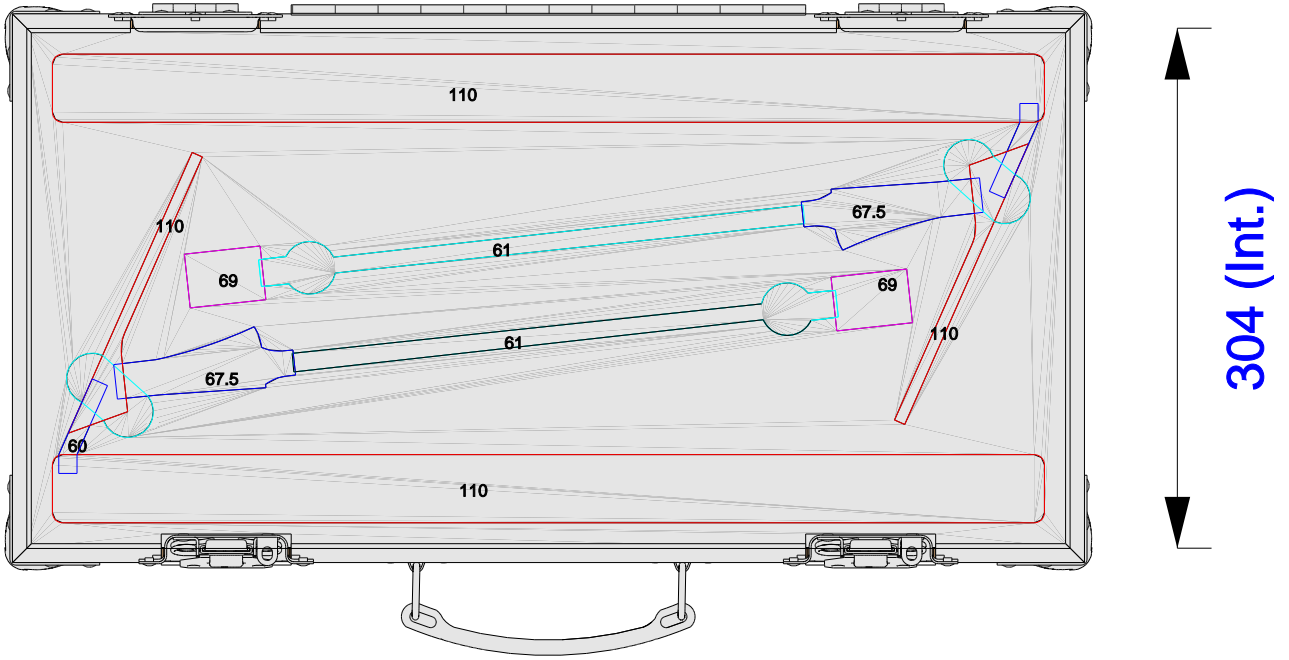




**Part No**  
96310-1

**Drawn By**  
Nick L

**Plan - Base only**



**Underside - Lid only**

