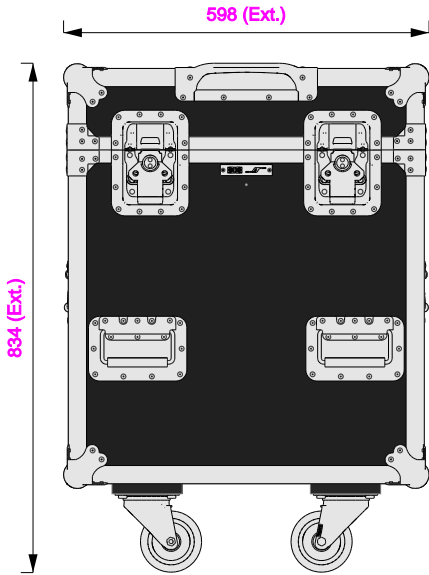




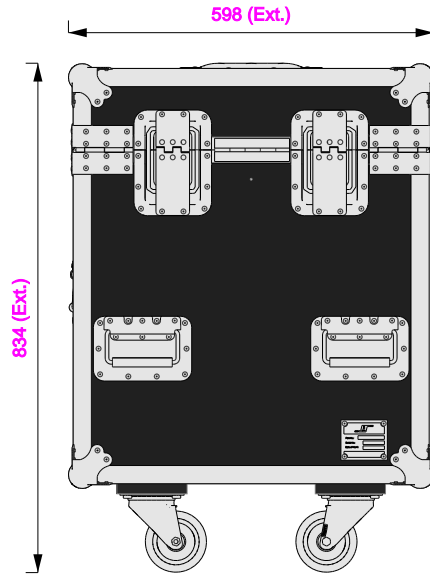
Part No
96296-1

Drawn By
Andy L

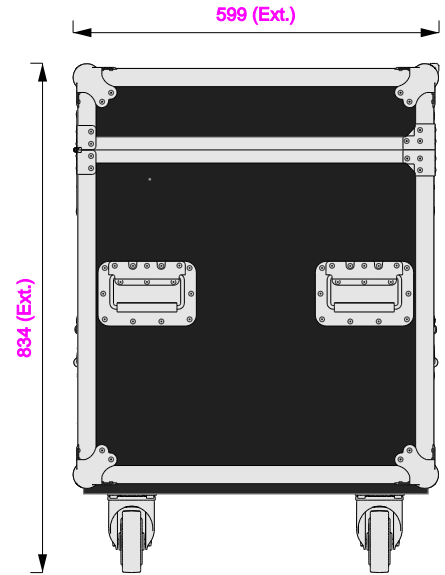
Front



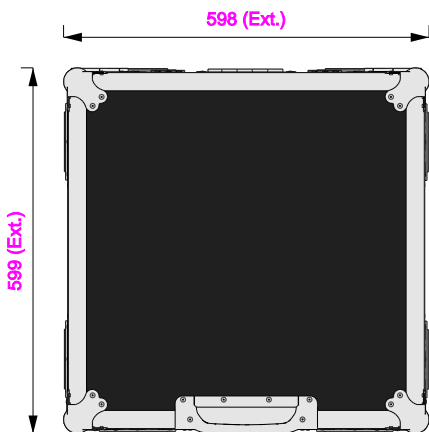
Back



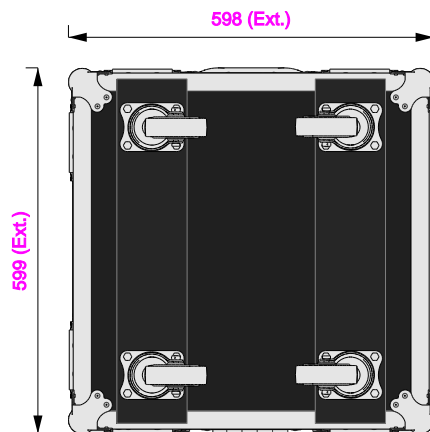
Left



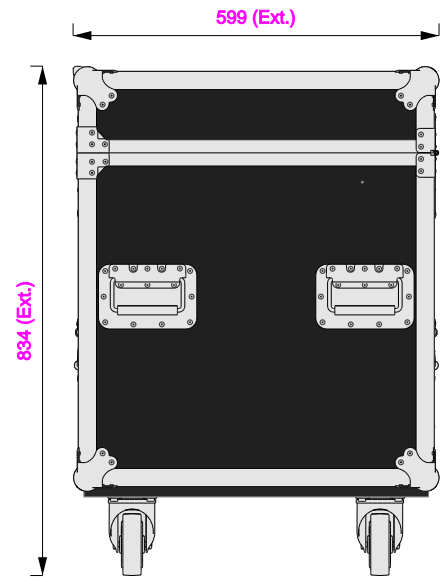
Plan



Underside



Right

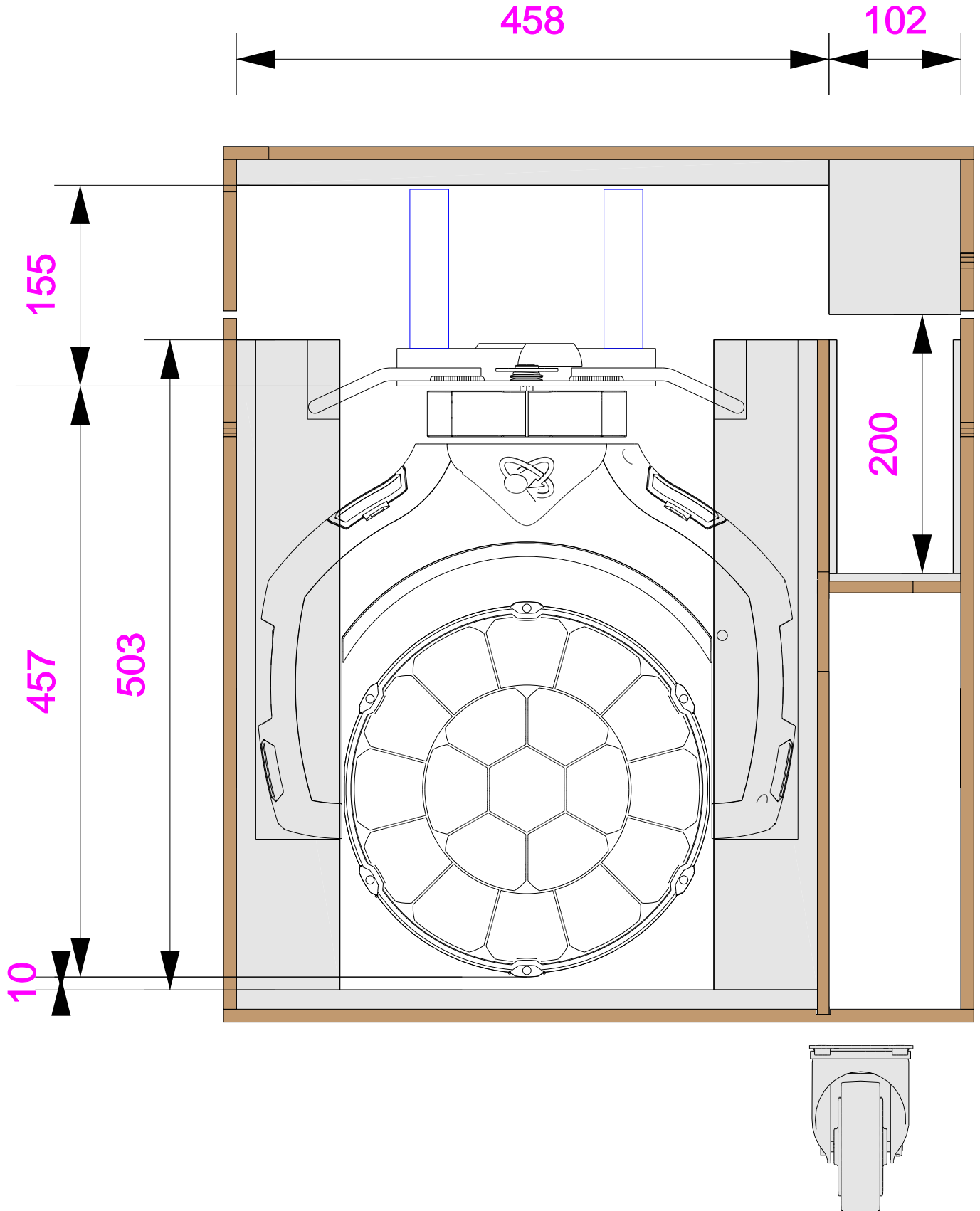




Part No
96296-1

Drawn By
Andy L

Right (filtered)





Part No
96296-1

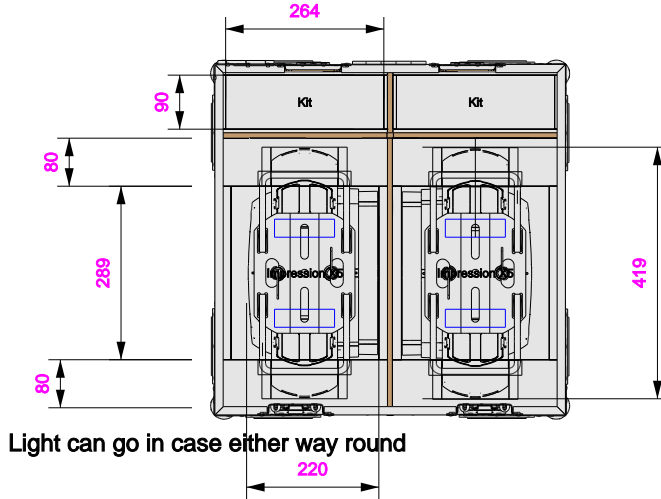
Drawn By
Andy L

Plan - Base only

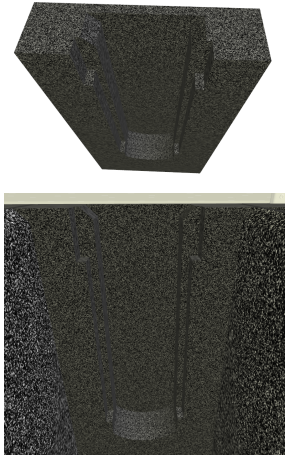
± 2mm tolerance apply to cavity dimensions

Unless stated otherwise

200mm deep accessories compartments



Light sits on CNC routed shoulders

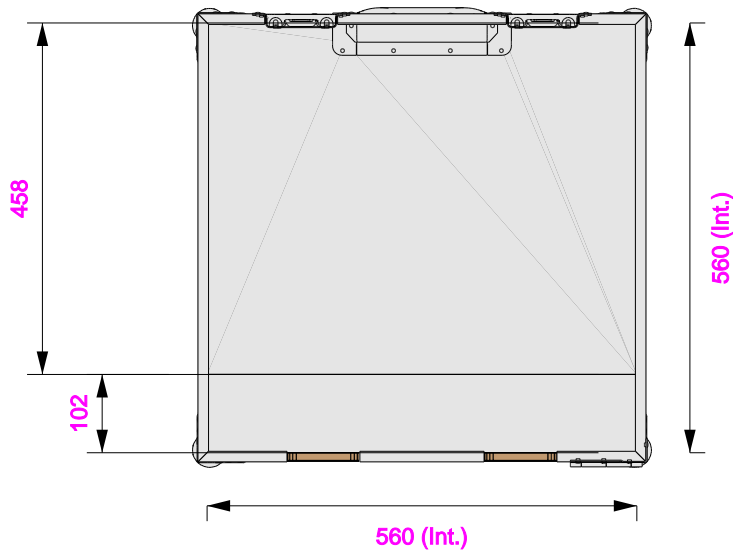


Impression X5
Length: 216mm
Width: 415mm
Height: 457mm

Extra Height
155mm

Kit
Length: 264mm
Width: 90mm
Height: 200mm

Underside - Lid only



Plan - Base only



Part No
96296-1

Drawn By
Andy L

