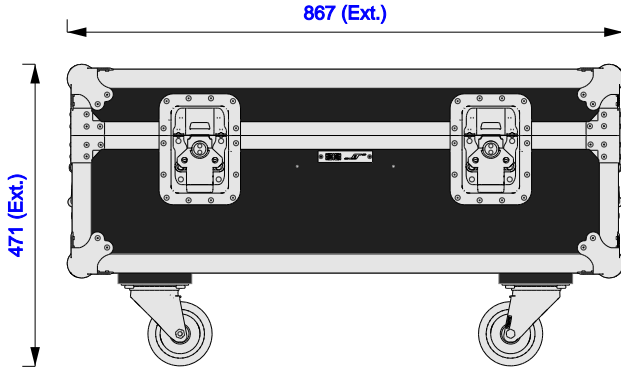




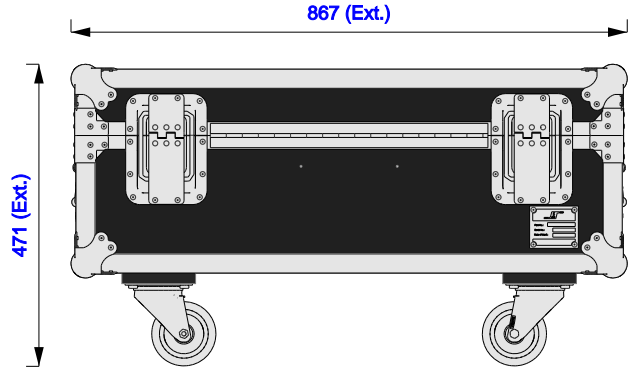
Part No  
96289-1

Drawn By  
Gerda

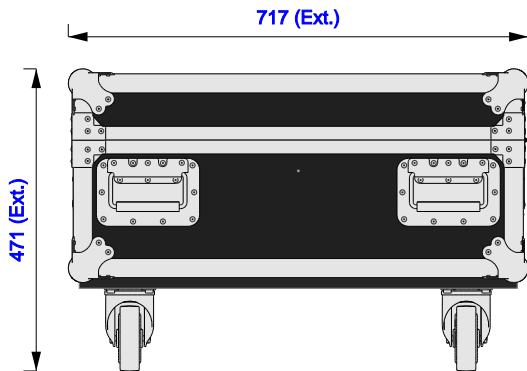
Front



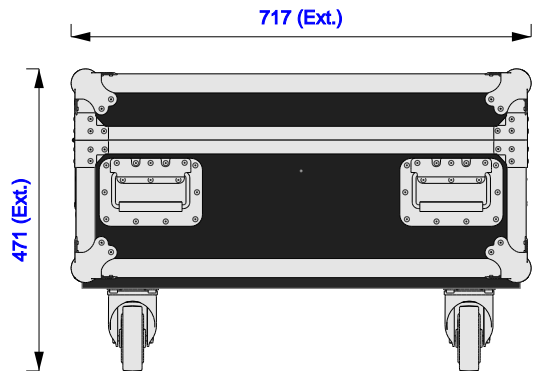
Back



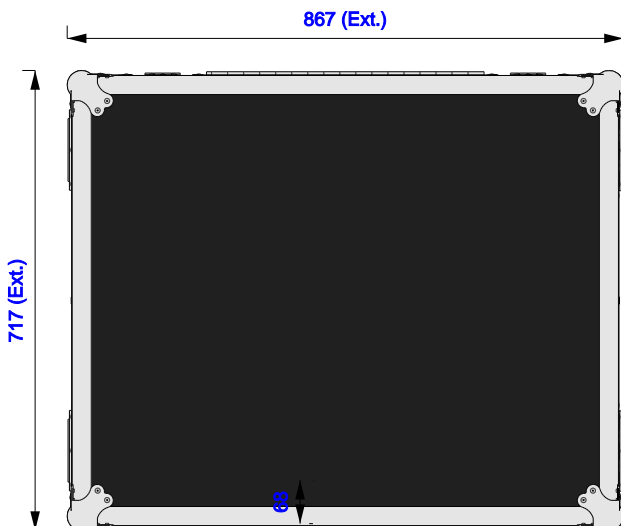
Right



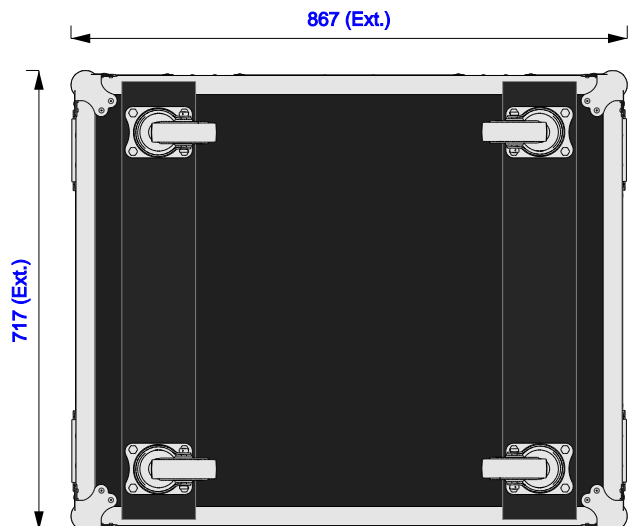
Left



Plan



Underside





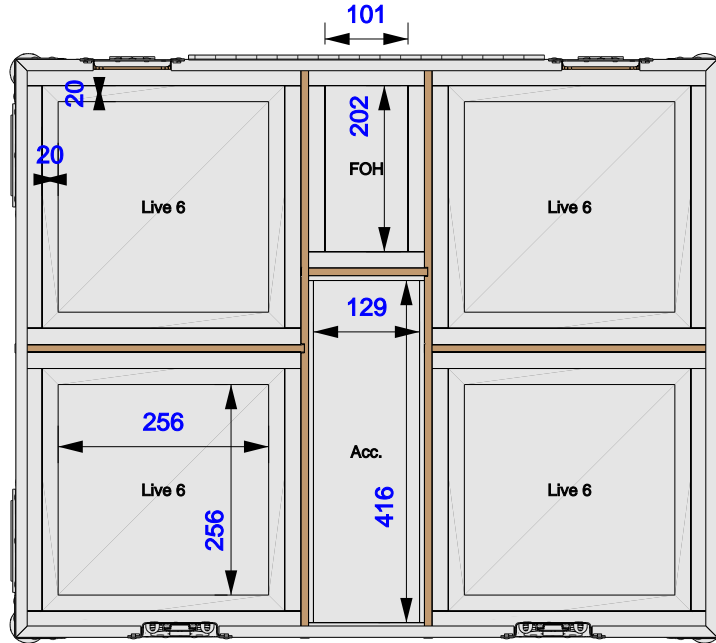
**Part No**  
96289-1

**Drawn By**  
Gerda

**Plan - Base only**

± 3mm tolerance apply to cavity dimensions

Unless stated otherwise



Live 6

Length: 255mm

Width: 255mm

Height: 255mm

FOH

Length: 98mm

Width: 199mm

Height: 235mm

Live 6

Length: 255mm

Width: 255mm

Height: 255mm

**Underside - Lid only**

