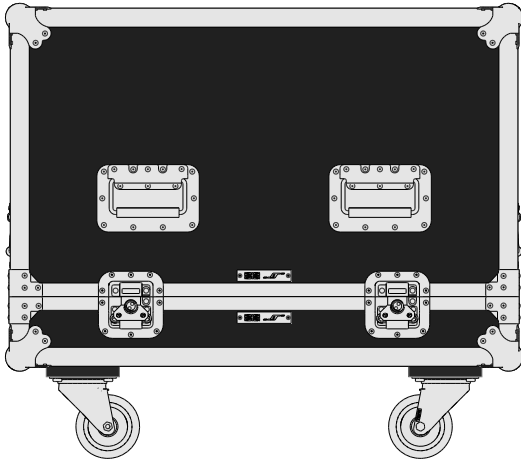




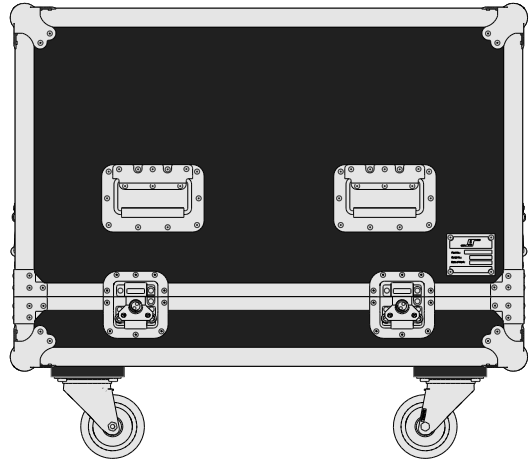
Part No
96288-1

Drawn By
Nick L

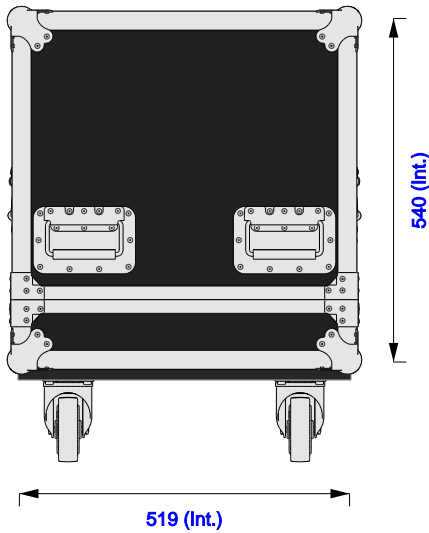
Front



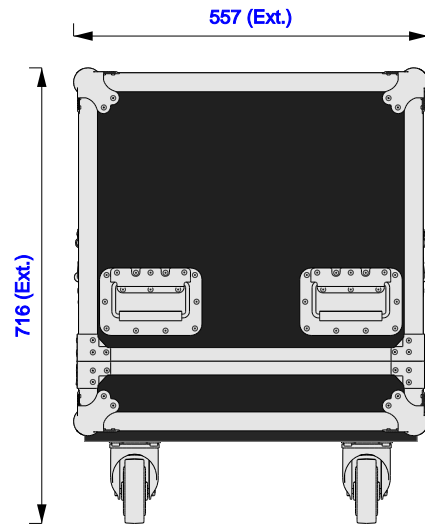
Back



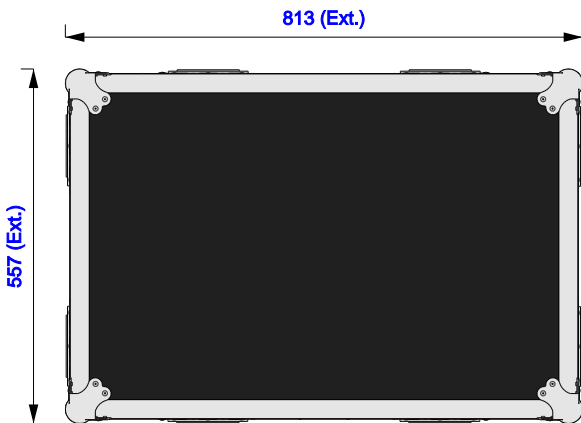
Right



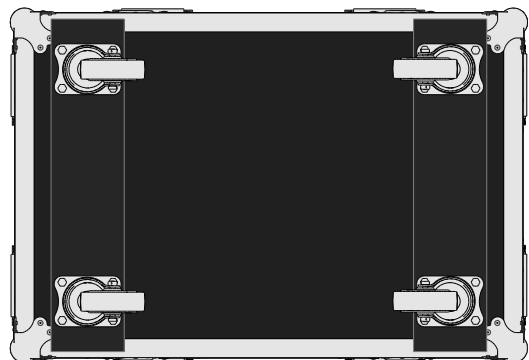
Left



Plan



Underside

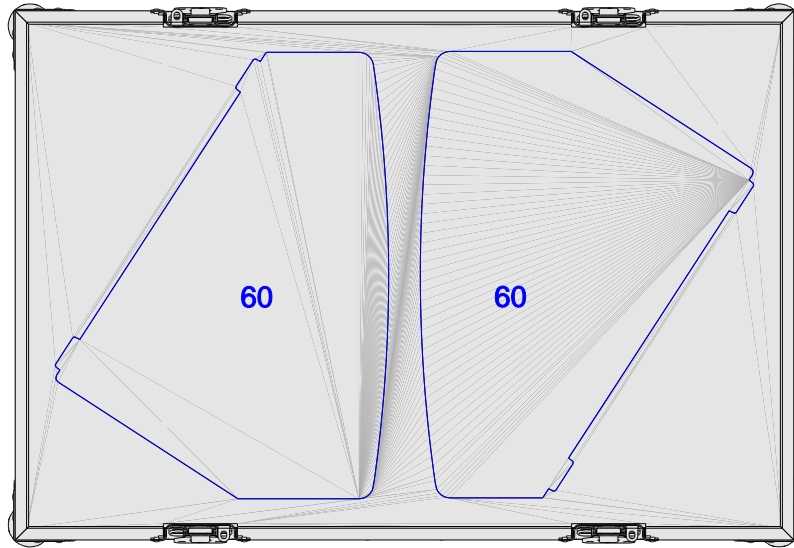




Part No
96288-1

Drawn By
Nick L

Plan - Base only



Underside - Lid only

