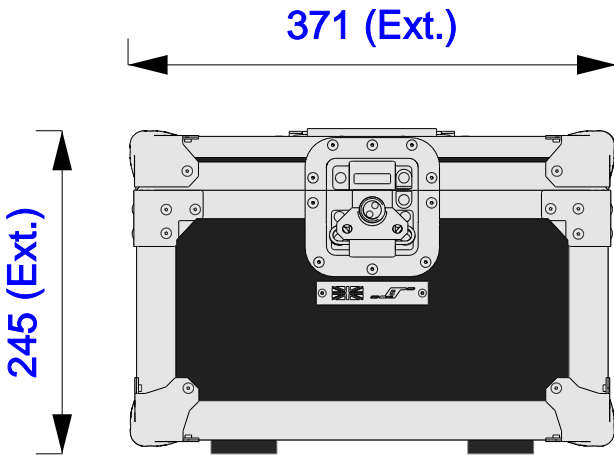




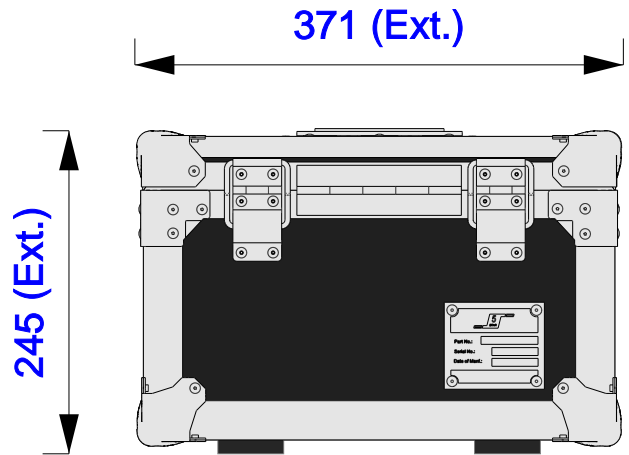
Part No  
96278-1

Drawn By  
Gerda

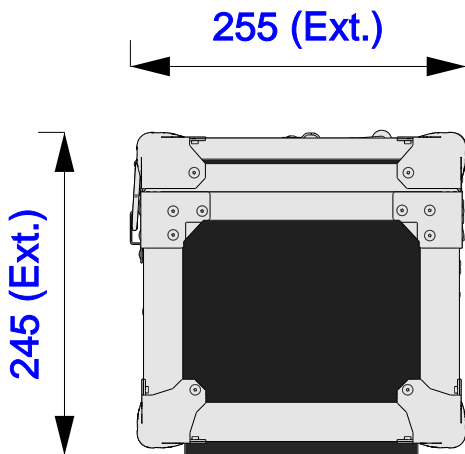
Front



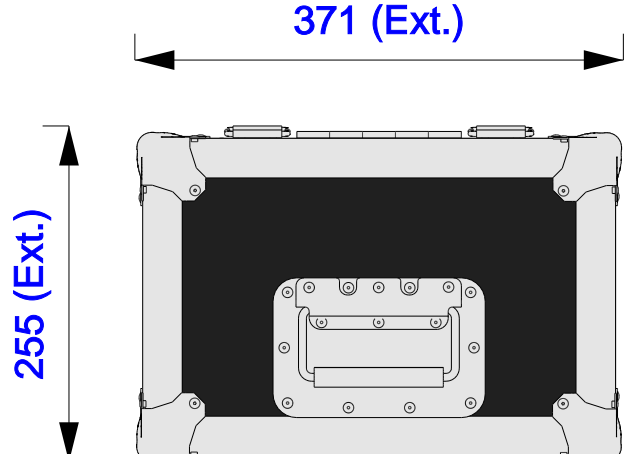
Back



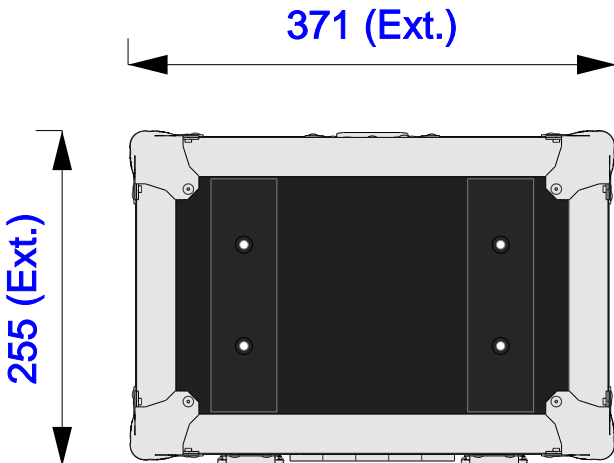
Left



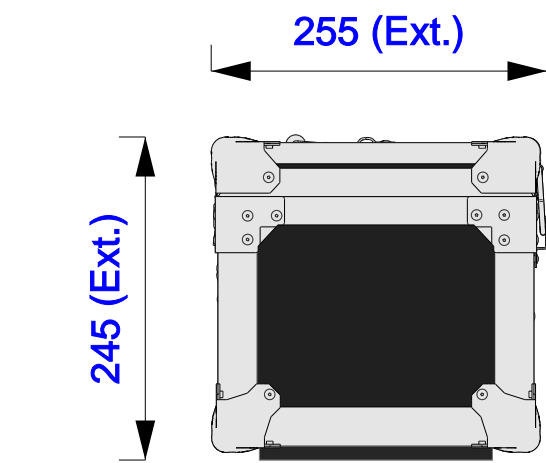
Plan



Underside



Right

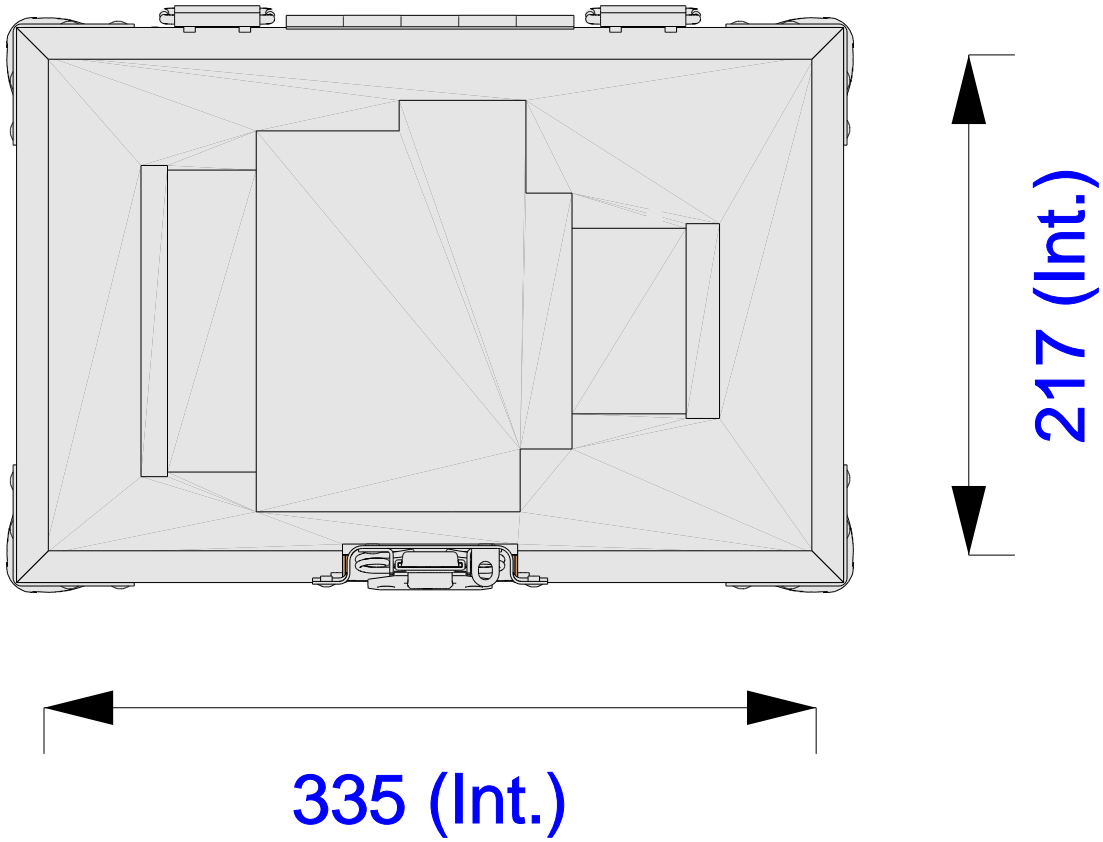




**Part No**  
96278-1

**Drawn By**  
Gerda

**Plan - Base only**



**Underside - Lid only**

