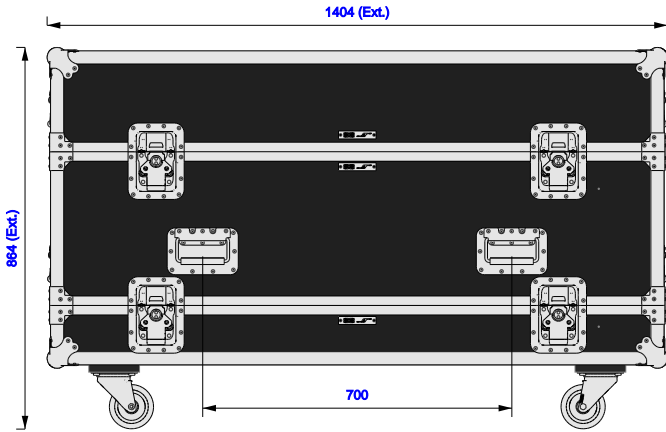




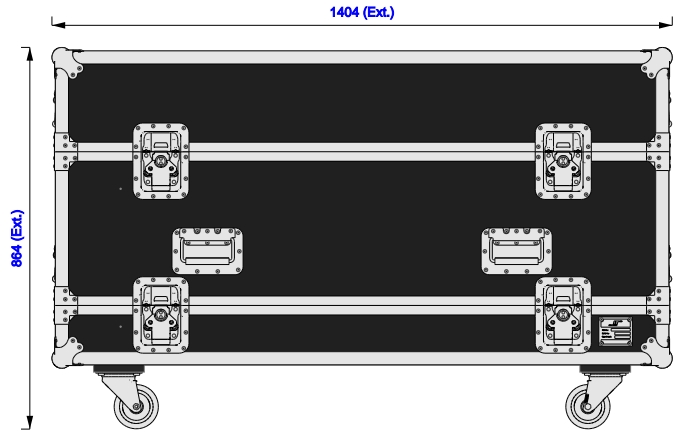
Part No
94460-1

Drawn By
Gerda

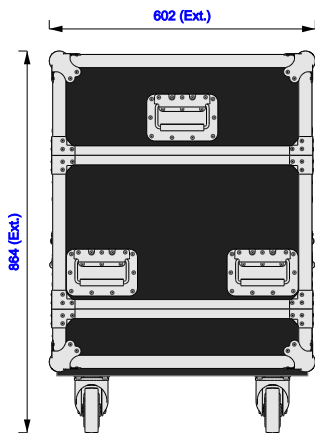
Front



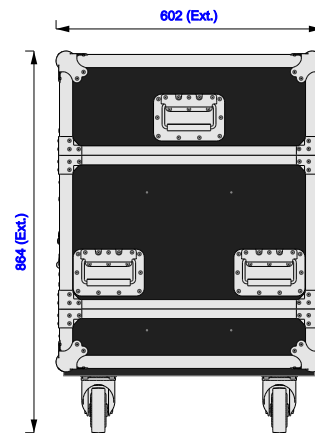
Back



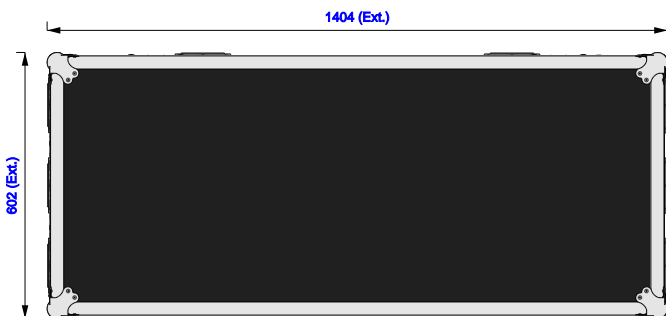
Right



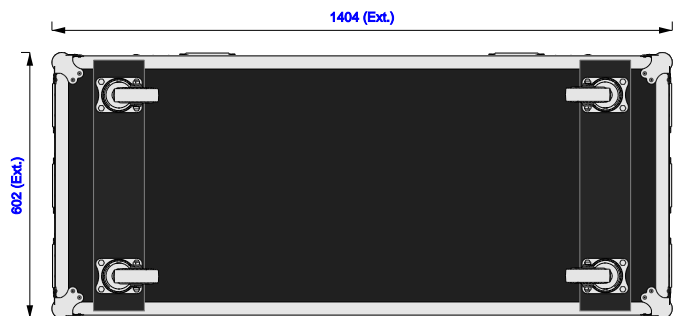
Left



Plan



Underside

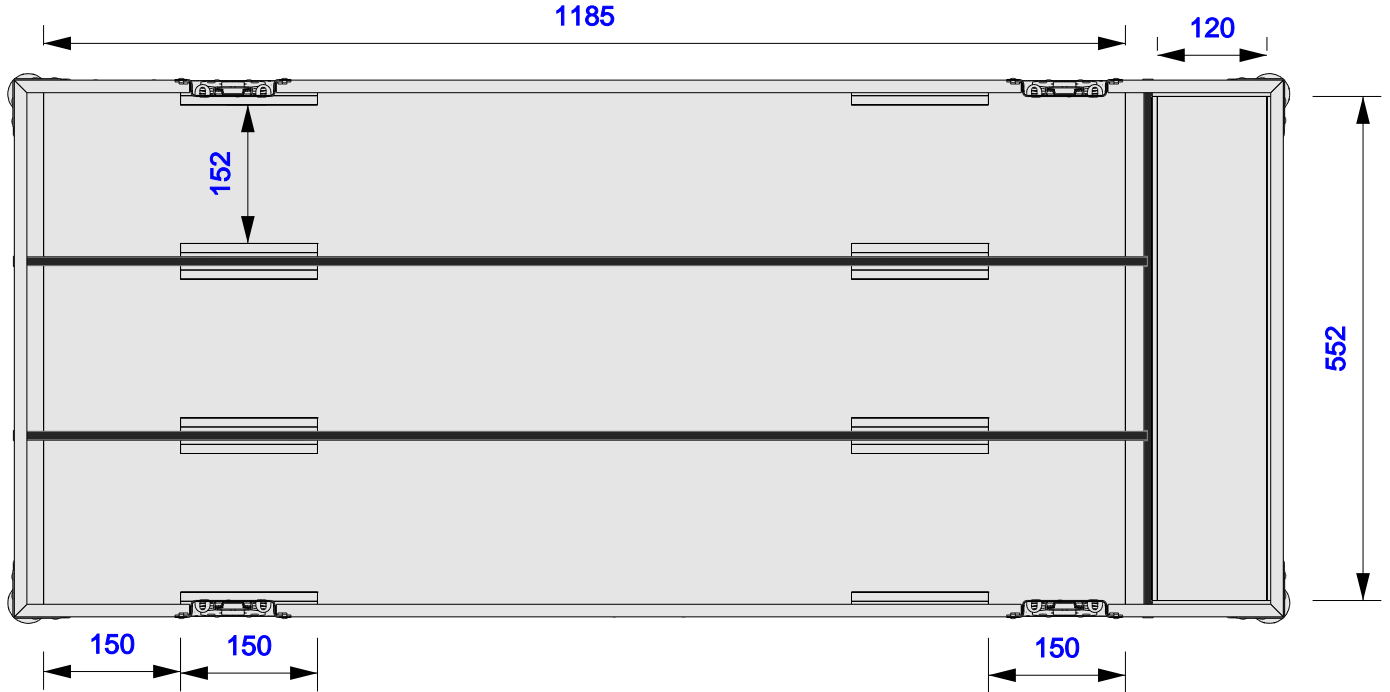




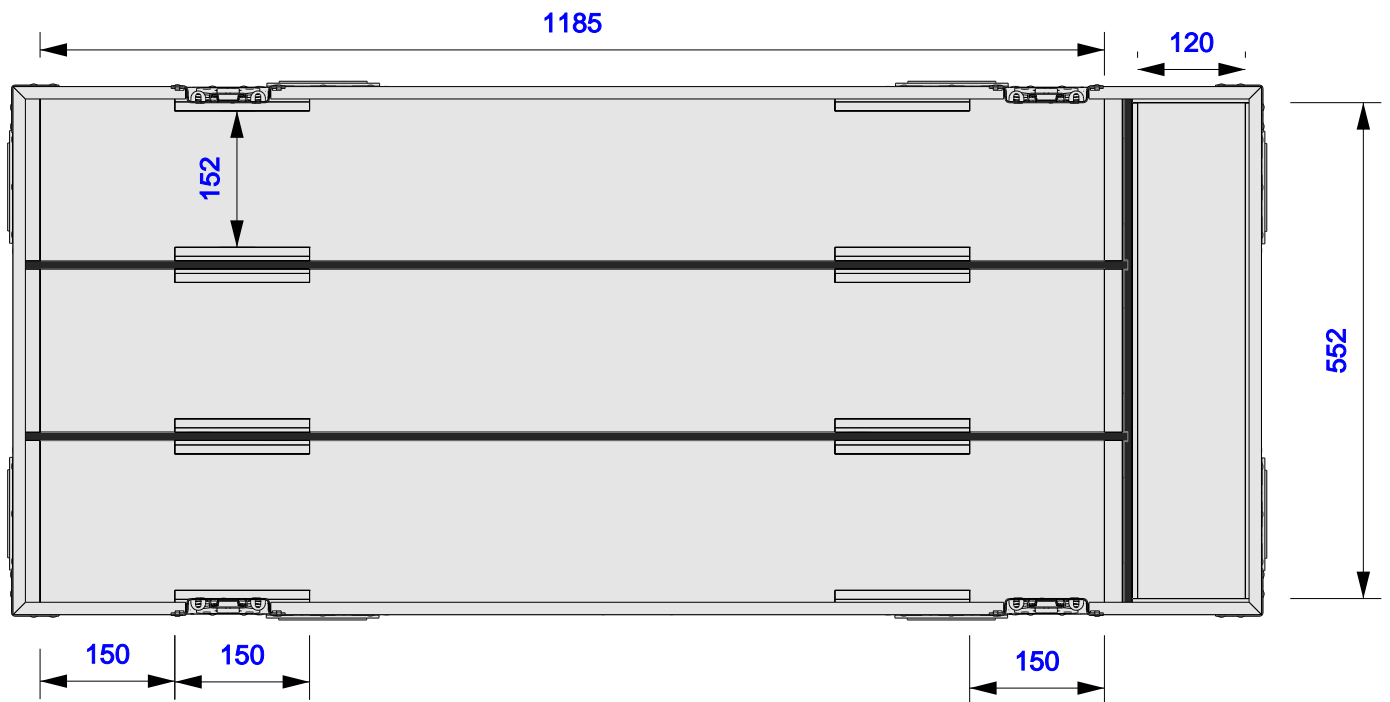
Part No
94460-1

Drawn By
Gerda

Plan - Base only
± 3mm tolerance apply to cavity dimensions
Unless stated otherwise



Plan - Intermediate only
± 2mm tolerance apply to cavity dimensions
Unless stated otherwise





Part No
94460-1

Drawn By
Gerda

Underside - Lid only

FOAM BLOCKS ALLOW FOR CLAMPS TO BE LEFT ON OR TAKEN OFF

