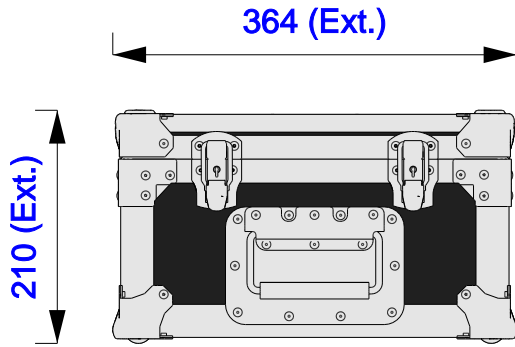




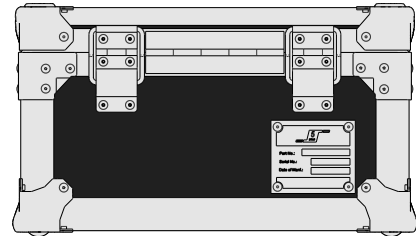
Part No
93846-2

Drawn By
AE

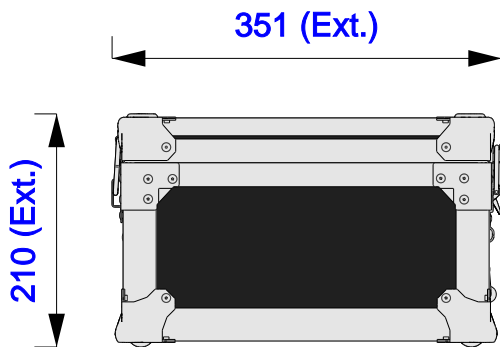
Front



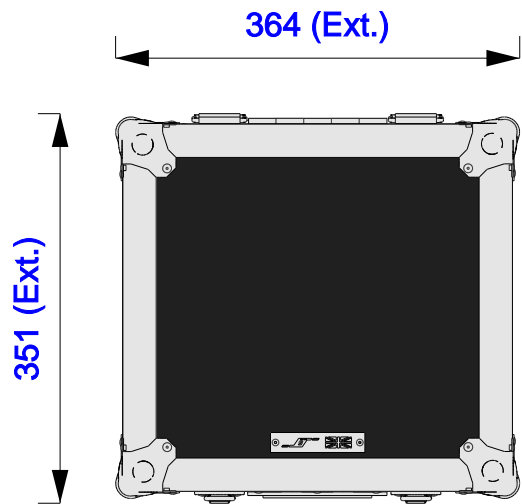
Back



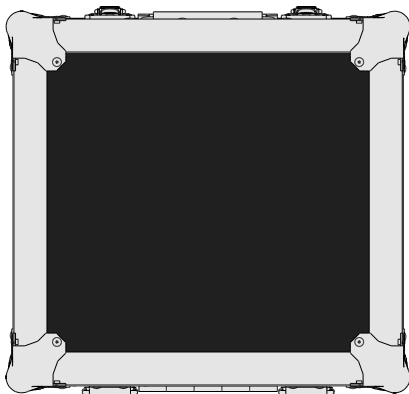
Left



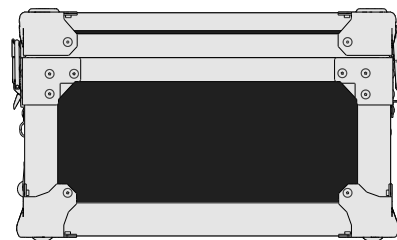
Plan



Underside



Right

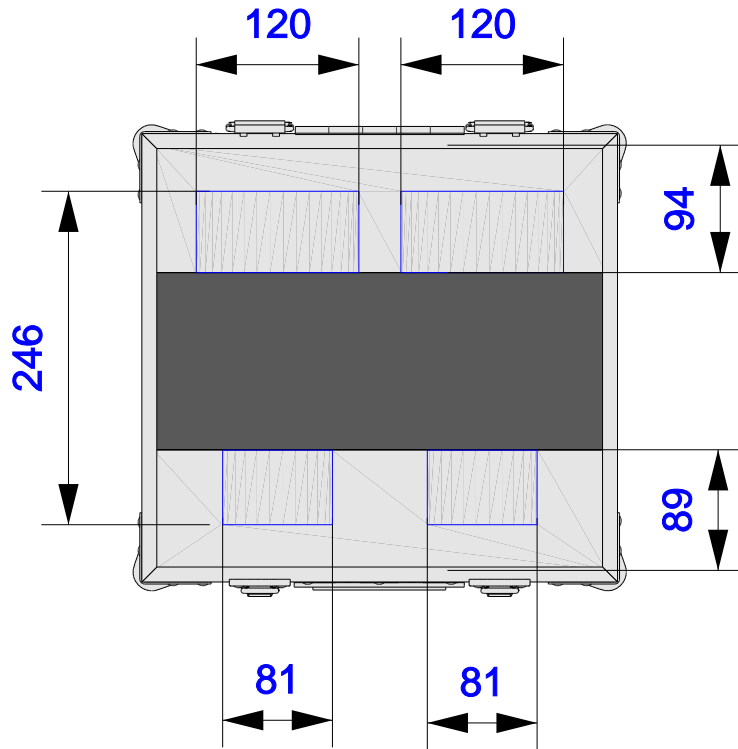




Part No
93846-2

Drawn By
AE

Plan - Base only



LENS CAPS ATTACHED

Underside - Lid only

