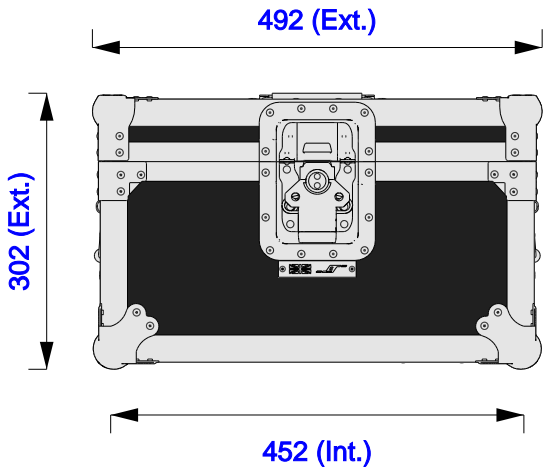




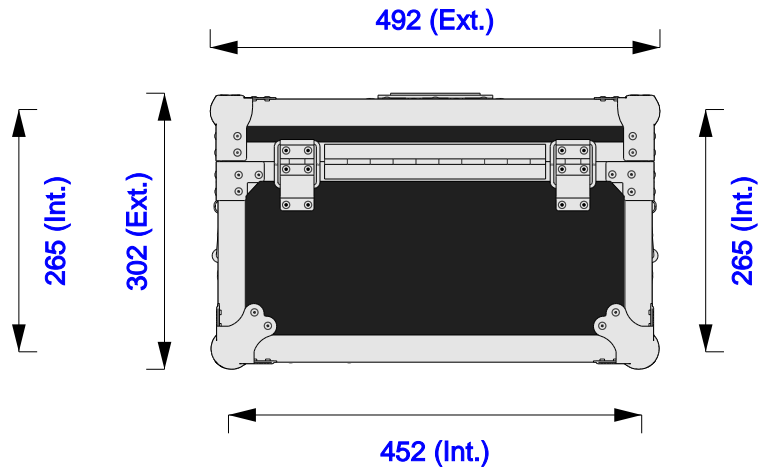
Part No
93559-1

Drawn By
Andy L

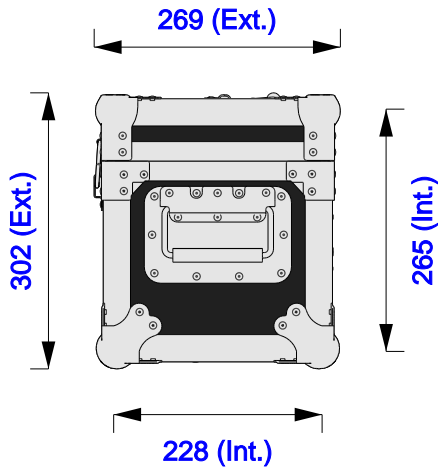
Front



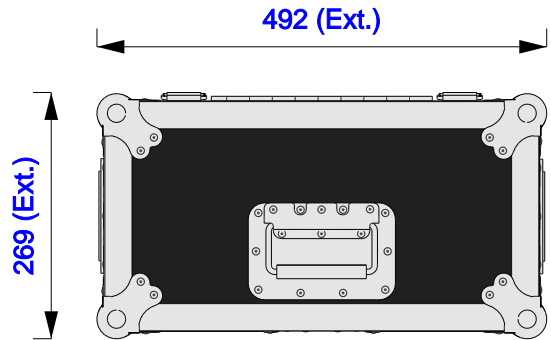
Back



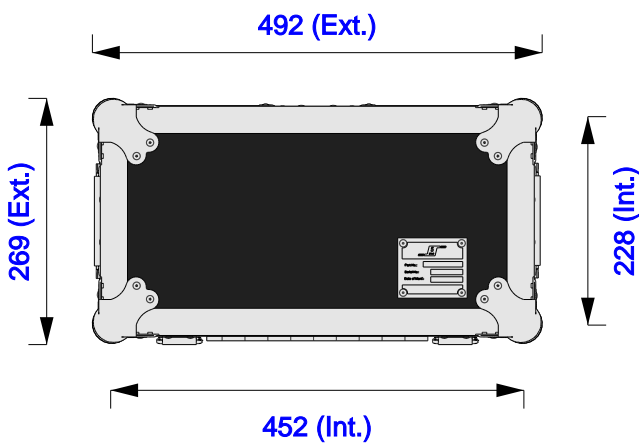
Left



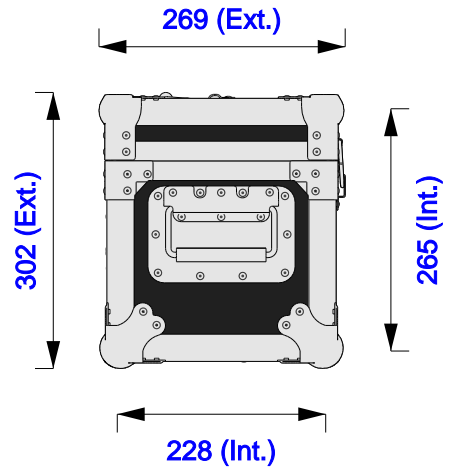
Plan



Underside



Right

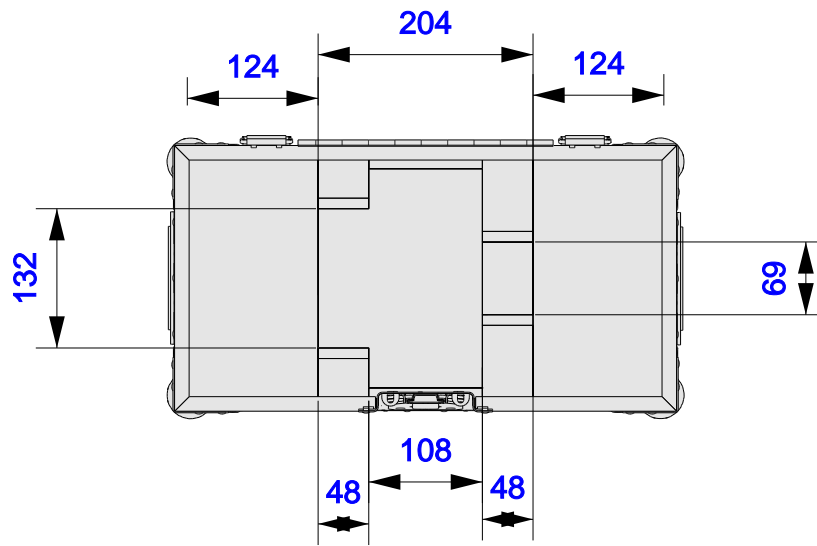




Part No
93559-1

Drawn By
Andy L

Plan - Base only



Underside - Lid only

