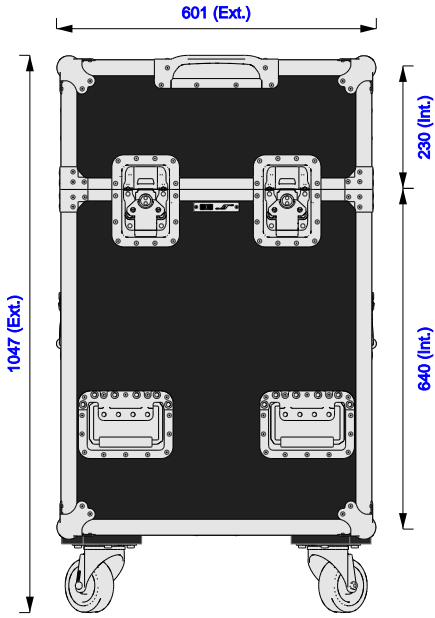




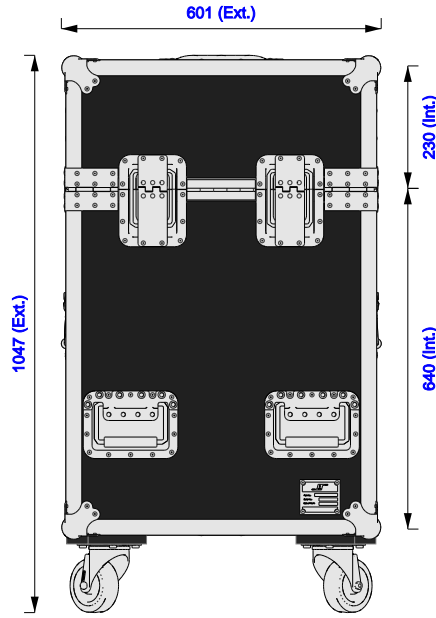
Part No  
92626-3

Drawn By  
Gerda

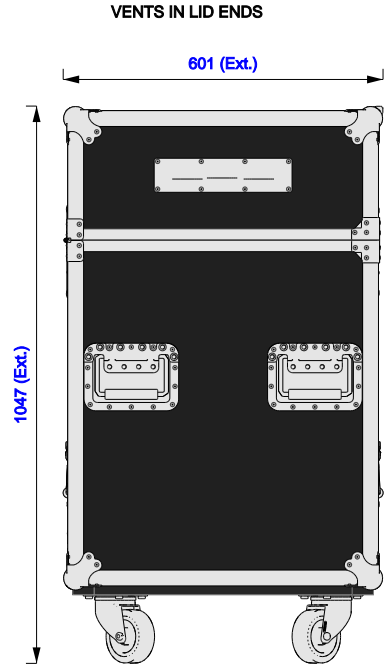
Front



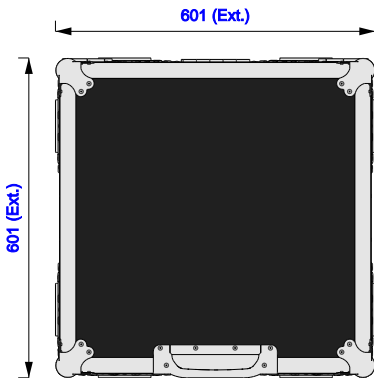
Back



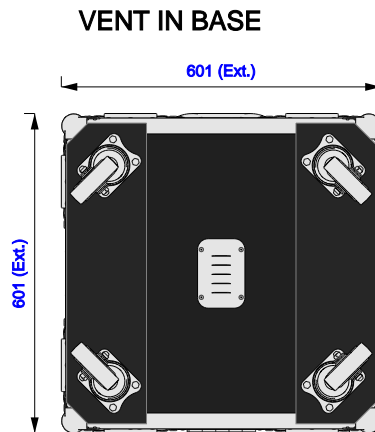
Left



Plan



Underside

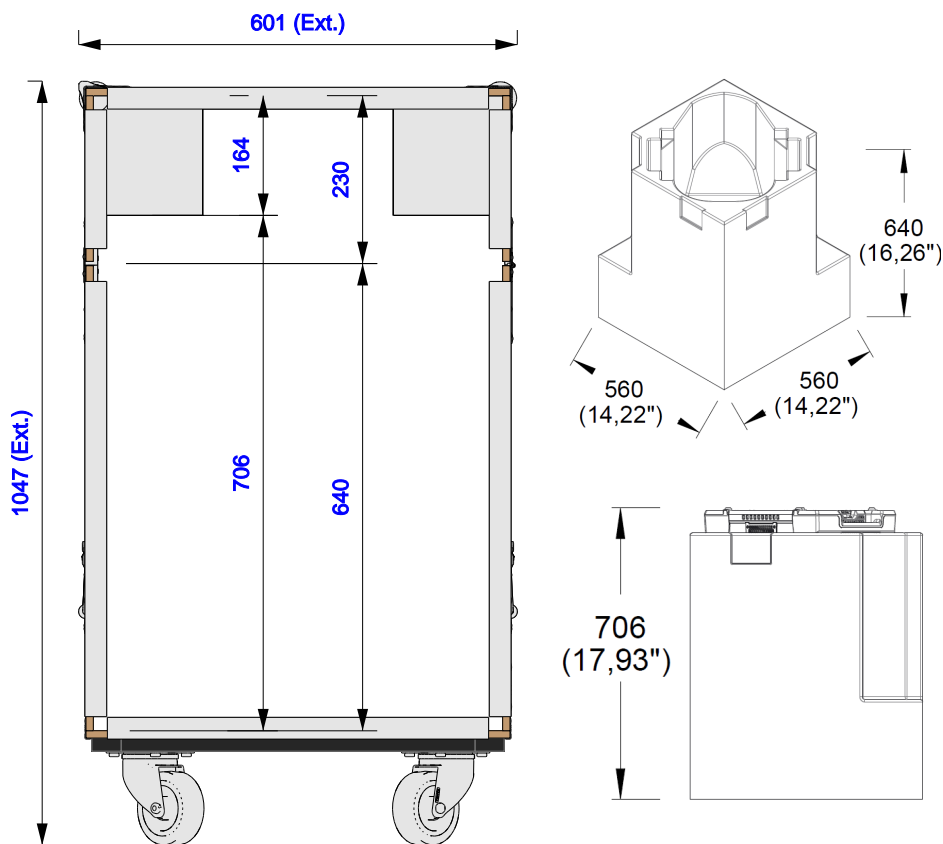




**Part No**  
92626-3

**Drawn By**  
Gerda

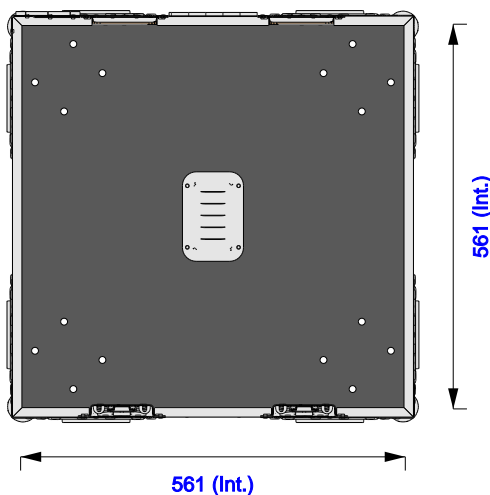
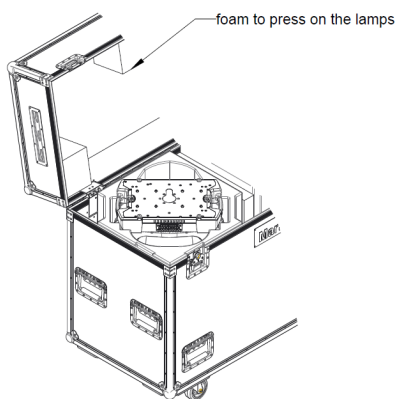
Right (filtered)



Plan - Base only

± 3mm tolerance apply to cavity dimensions.  
Unless stated otherwise.

SIP Insert not included with case



**SIP INSERT NOT INCLUDED WITH CASE  
ALLOWING FOR CLAMP TO BE ATTACHED TO LAMP**

MAC Viper in SiP  
Length: 560mm  
Width: 560mm  
Height: 640mm

Extra Height  
230mm



**Part No**  
92626-3

**Drawn By**  
Gerda

**Underside - Lid only**

