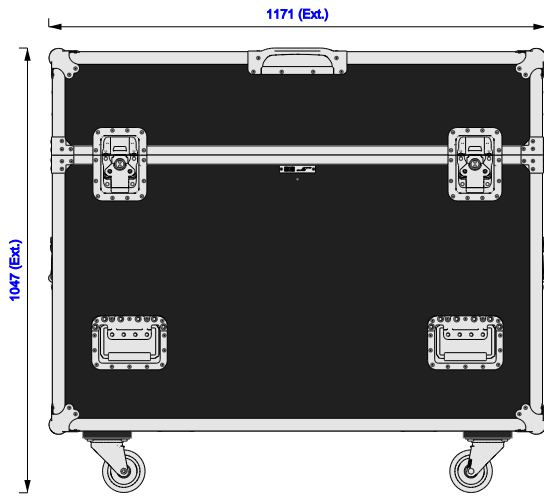




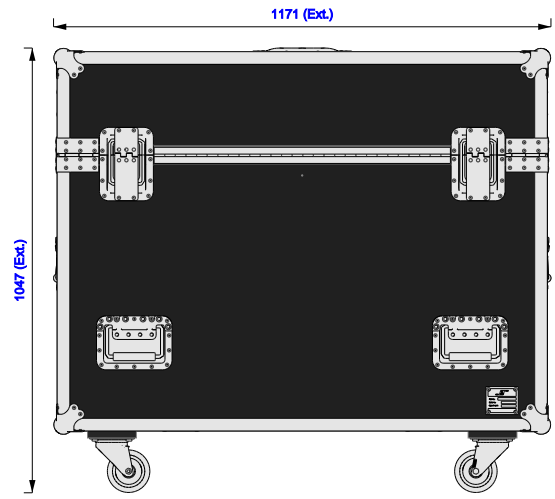
Part No
92622-3

Drawn By
Gerda

Front

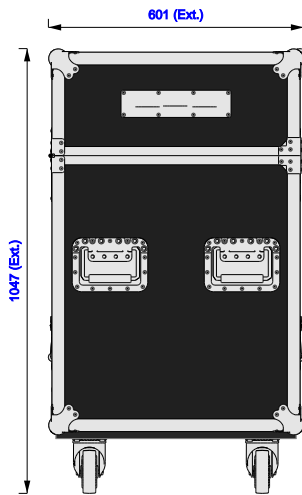


Back

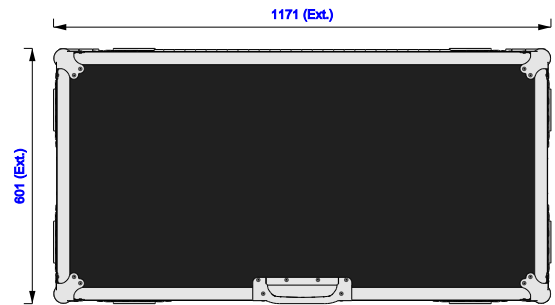


Left

VENTS IN LID ENDS

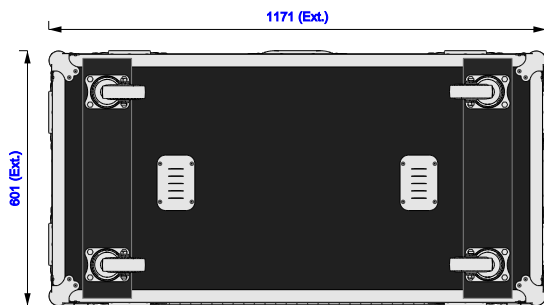


Plan



Underside

VENTS IN BASE

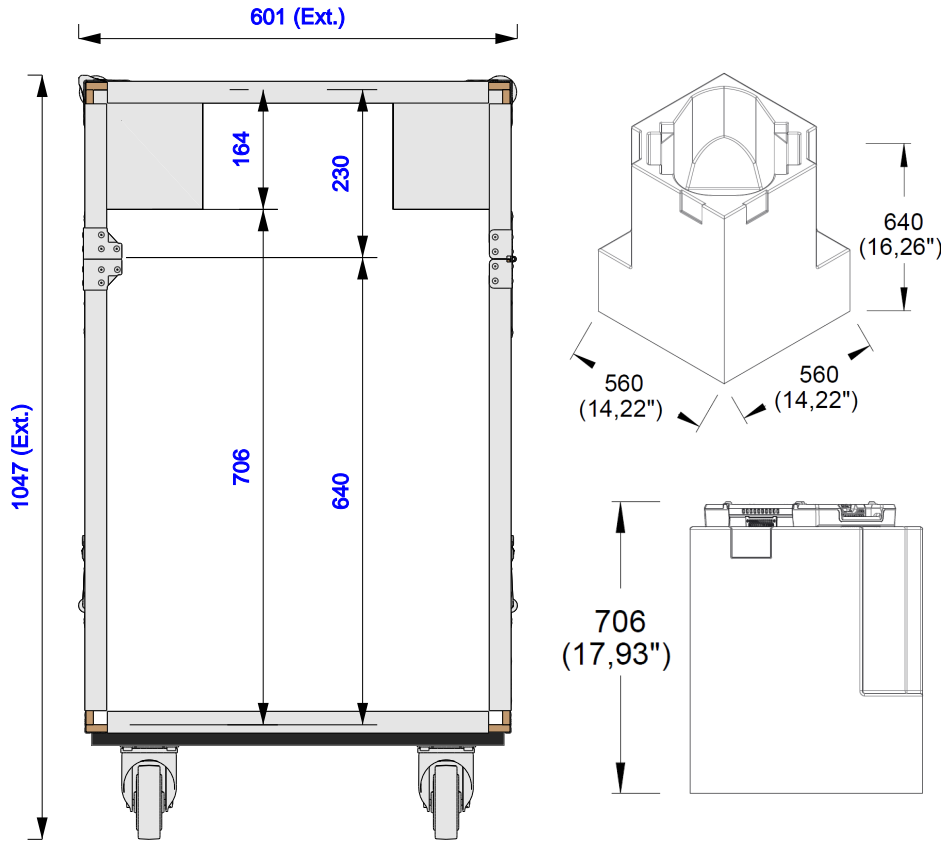




Part No
92622-3

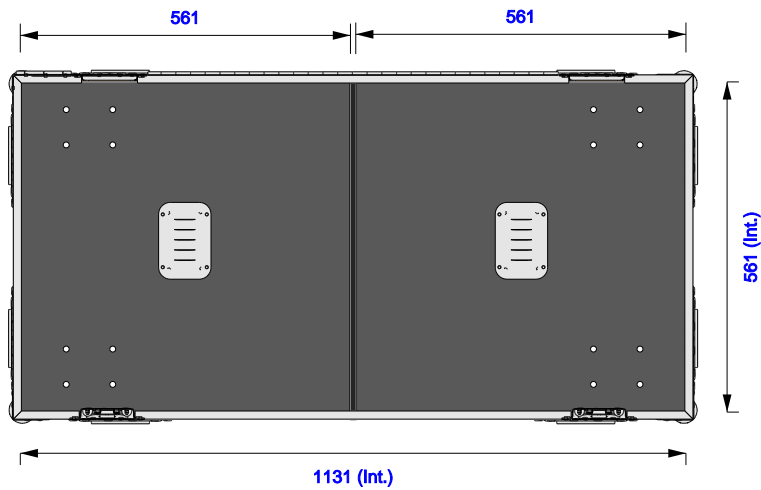
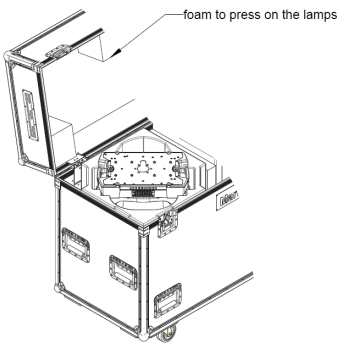
Drawn By
Gerda

Right (filtered)



Plan - Base only

± 3mm tolerance apply to cavity dimensions.
Unless stated otherwise.



**SIP INSERTS NOT INCLUDED WITH CASE
ALLOWING FOR CLAMPS TO BE LEFT ON LAMPS**

Extra Height	MAC Viper in SiP
	Length: 560mm
230mm	Width: 560mm
	Height: 640mm



Part No
92622-3

Drawn By
Gerda

Underside - Lid only

