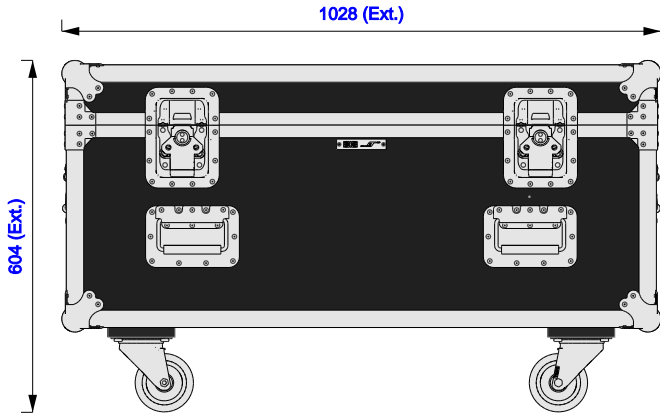




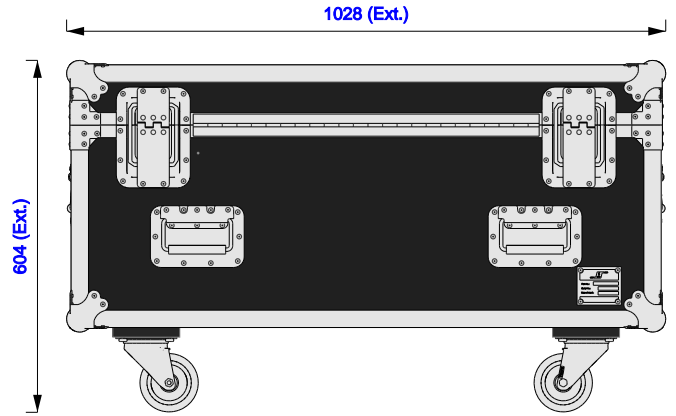
Part No
91525-2

Drawn By
AE

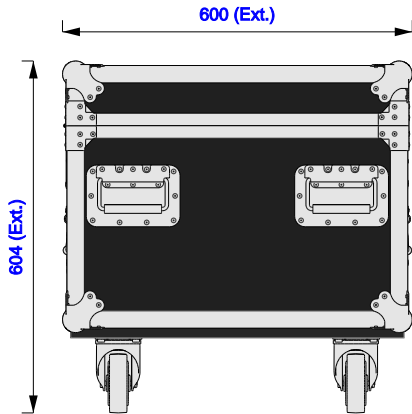
Front



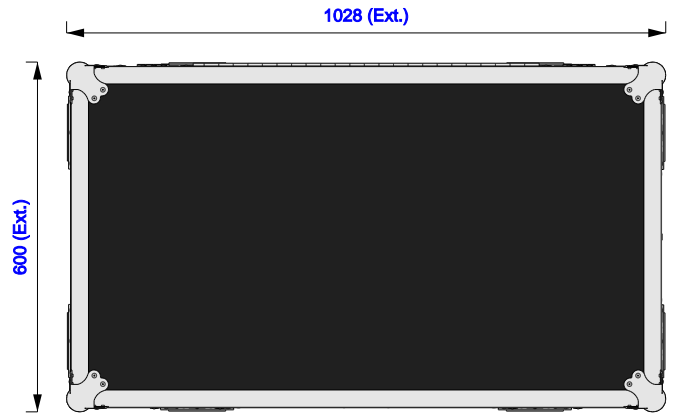
Back



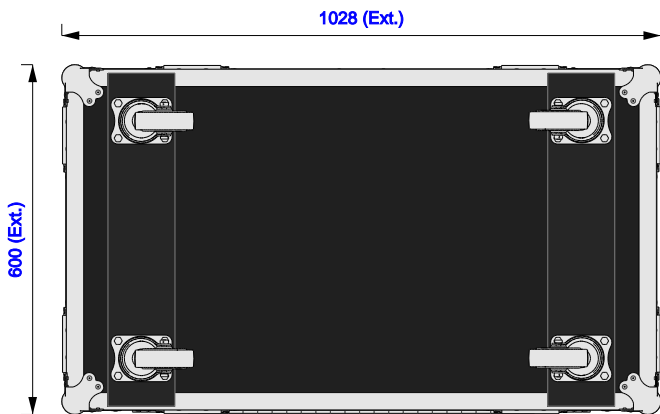
Left



Plan



Underside





Part No
91525-2

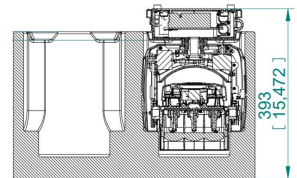
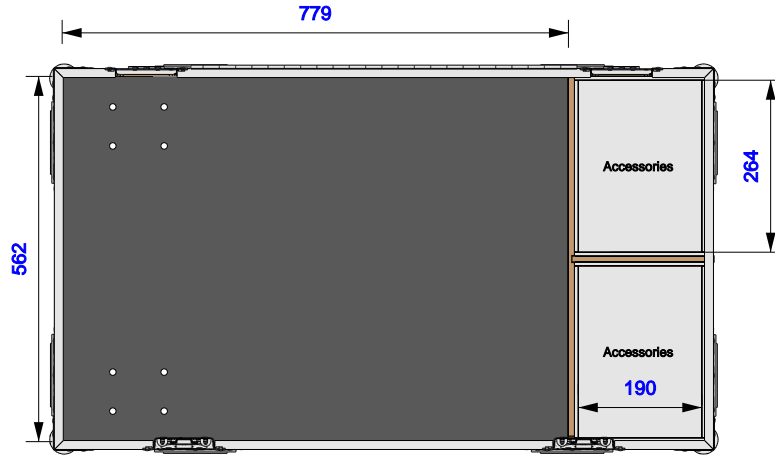
Drawn By
AE

Plan - Base only

SIP inserts are not included with case



SIP INSERT DIMENSIONS
Length: 193mm
Width: 560mm
Height: 340mm



KIT PROTRUSION FROM SIP INSERT

Robe LEDBeam 150 (IN TWIN SIP INSERT)

Length: 777mm
Width: 560mm
Height: 393mm

Underside - Lid only

