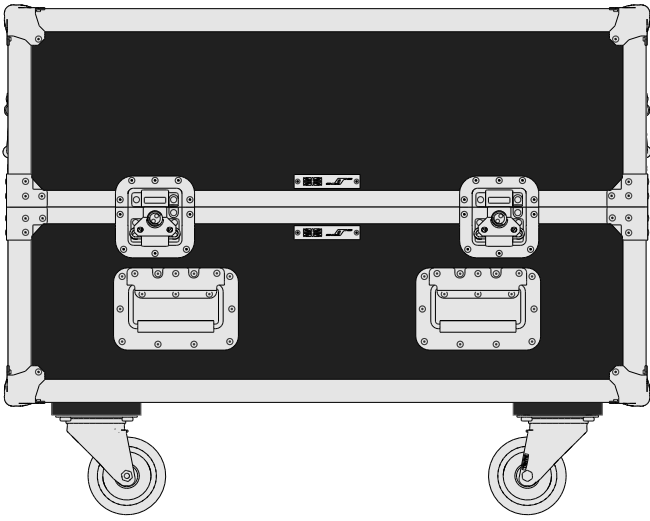




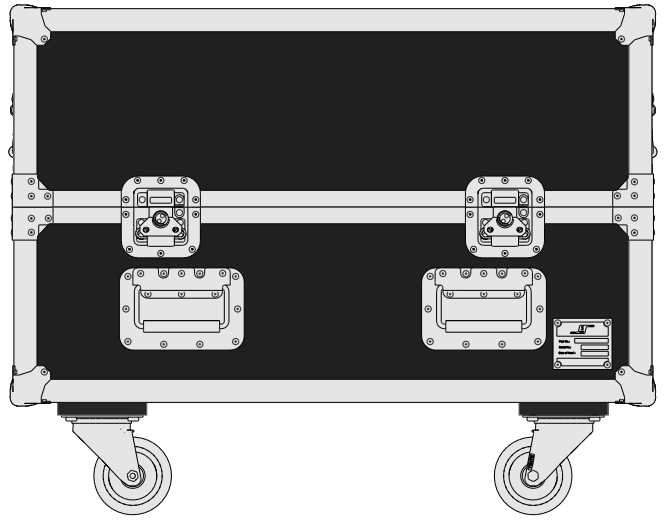
Part No
89197-1

Drawn By
Andy L

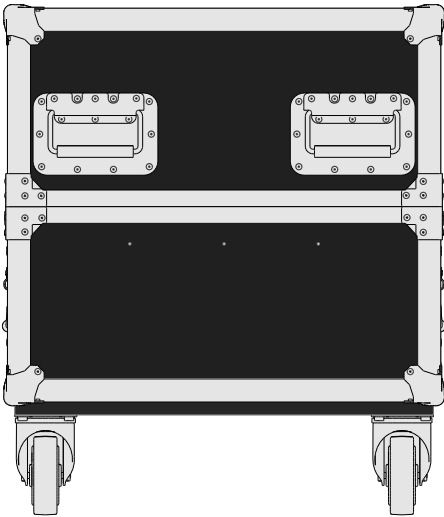
Front



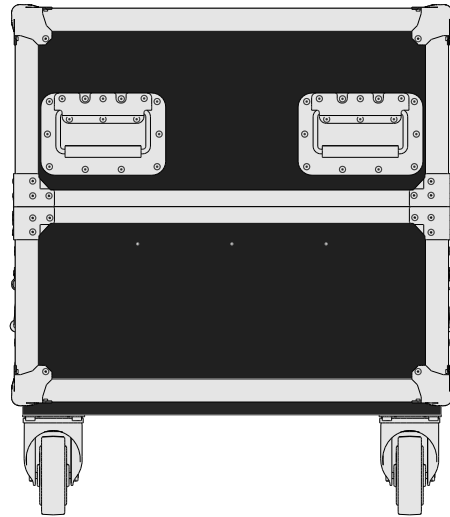
Back



Right



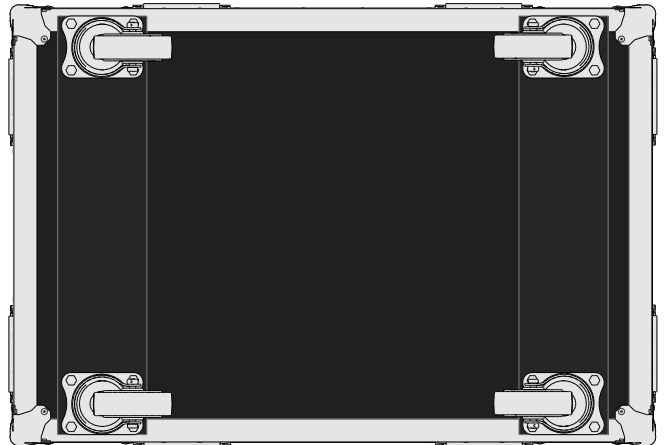
Left



Plan



Underside

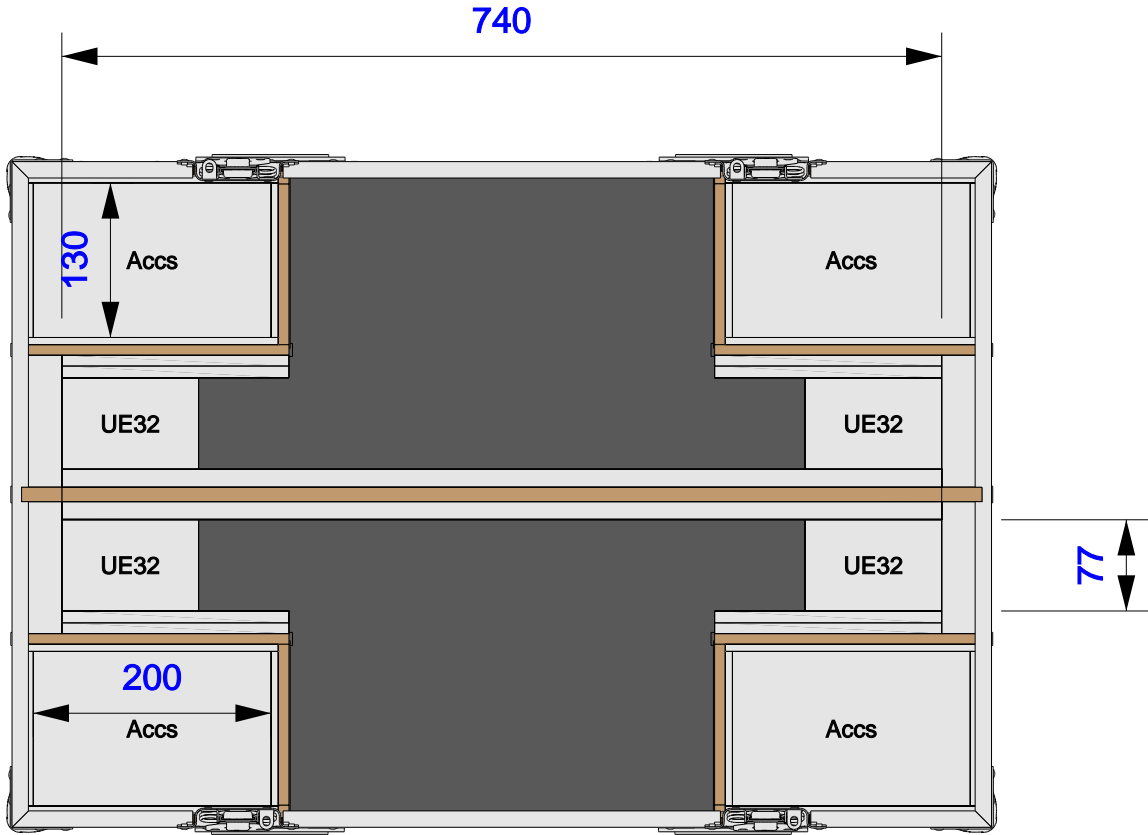




Part No
89197-1

Drawn By
Andy L

Plan - Base only



Underside - Lid only

