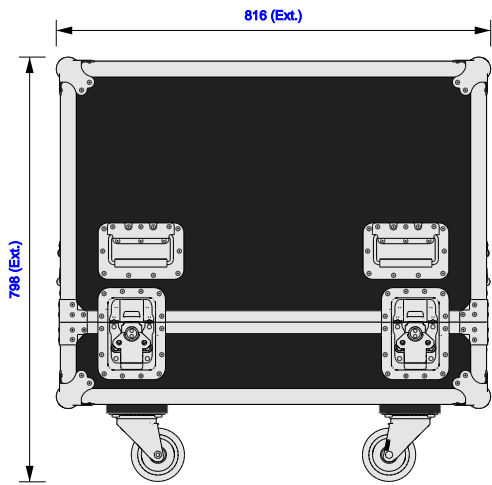




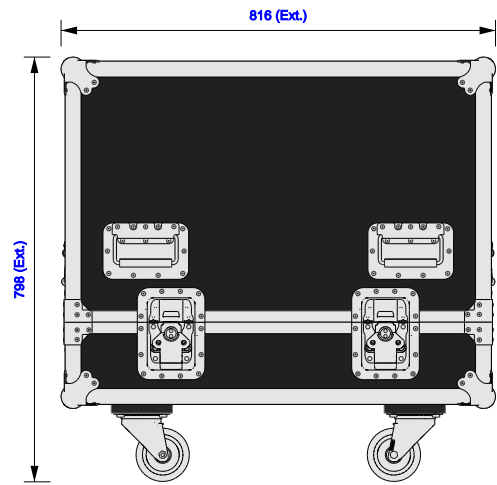
Part No  
88260-1

Drawn By  
Raivis Bumeistars

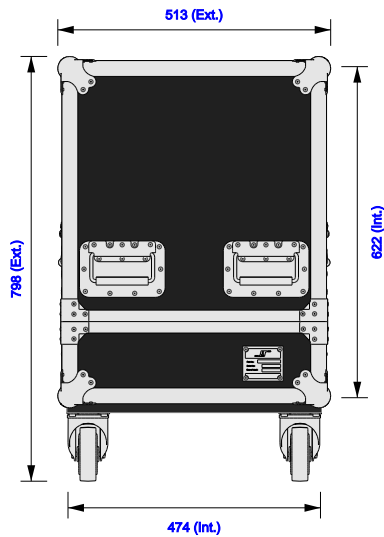
Front



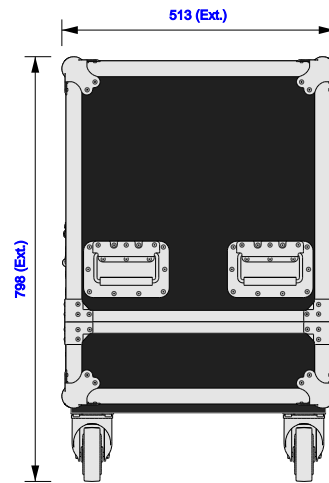
Back



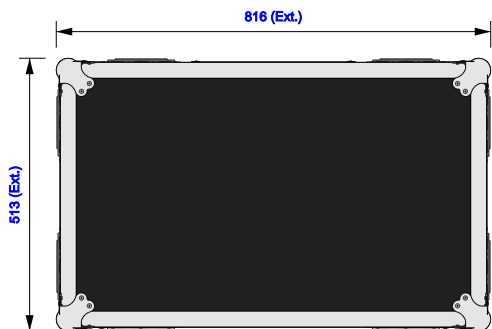
Right



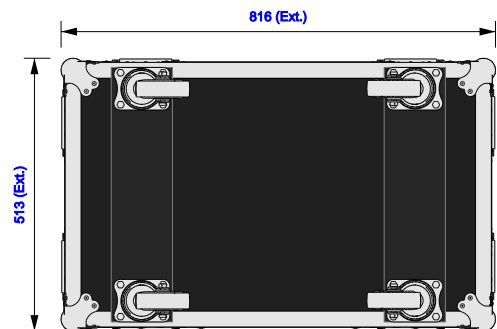
Left



Plan



Underside

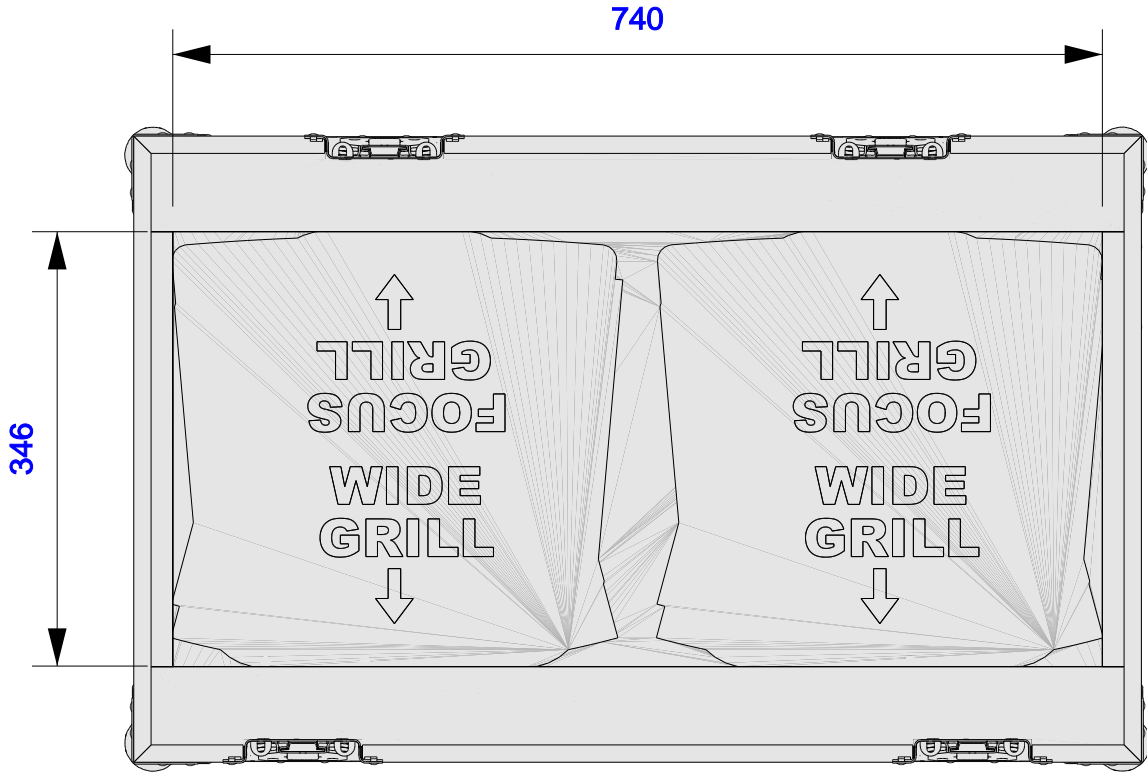




Part No  
88260-1

Drawn By  
Raivis Bumeistars

Plan - Base only  
± 2mm tolerance apply to cavity dimensions  
Unless stated otherwise



Underside - Lid only

Please note foam orientations

