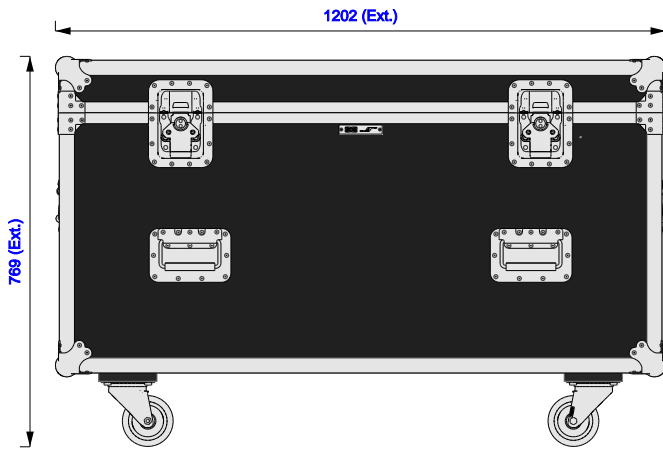




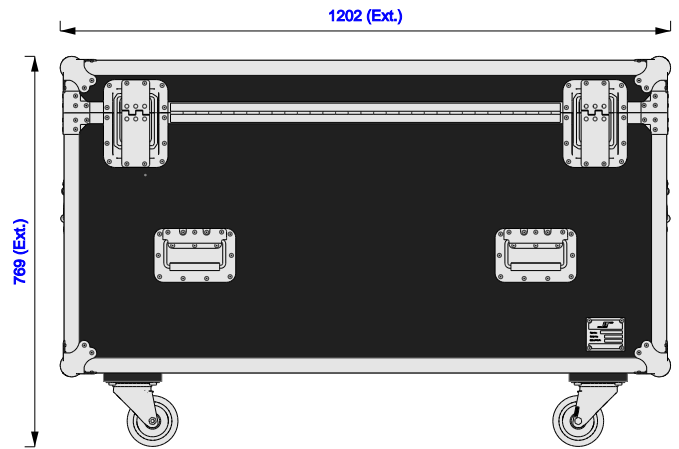
Part No  
85732-1

Drawn By  
Gerda

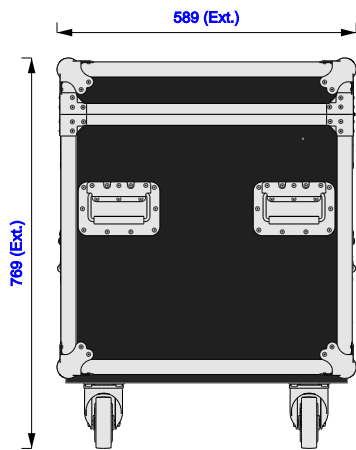
Front



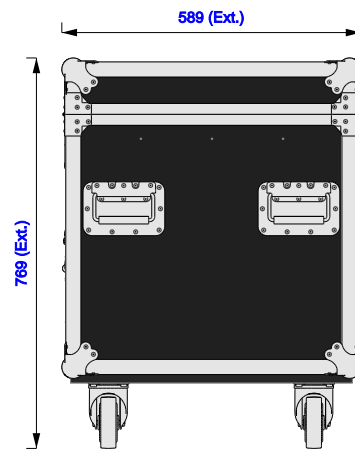
Back



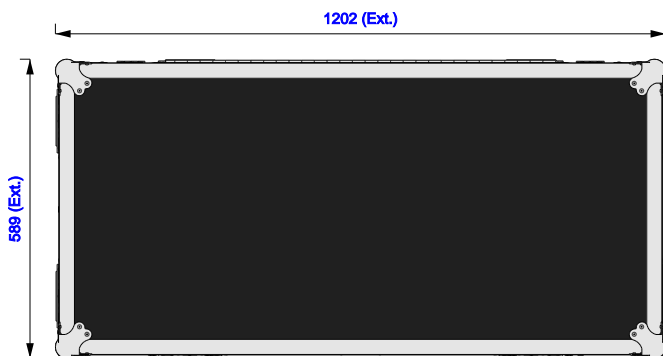
Right



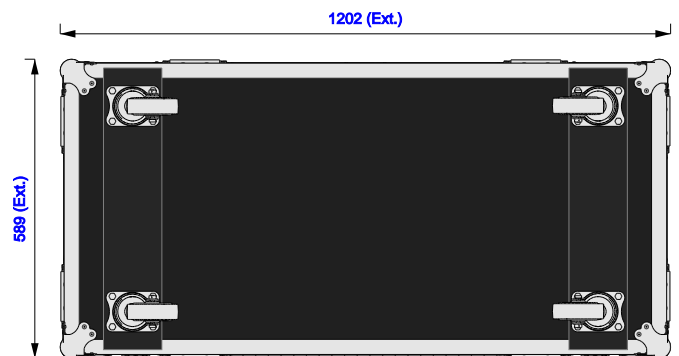
Left



Plan



Underside





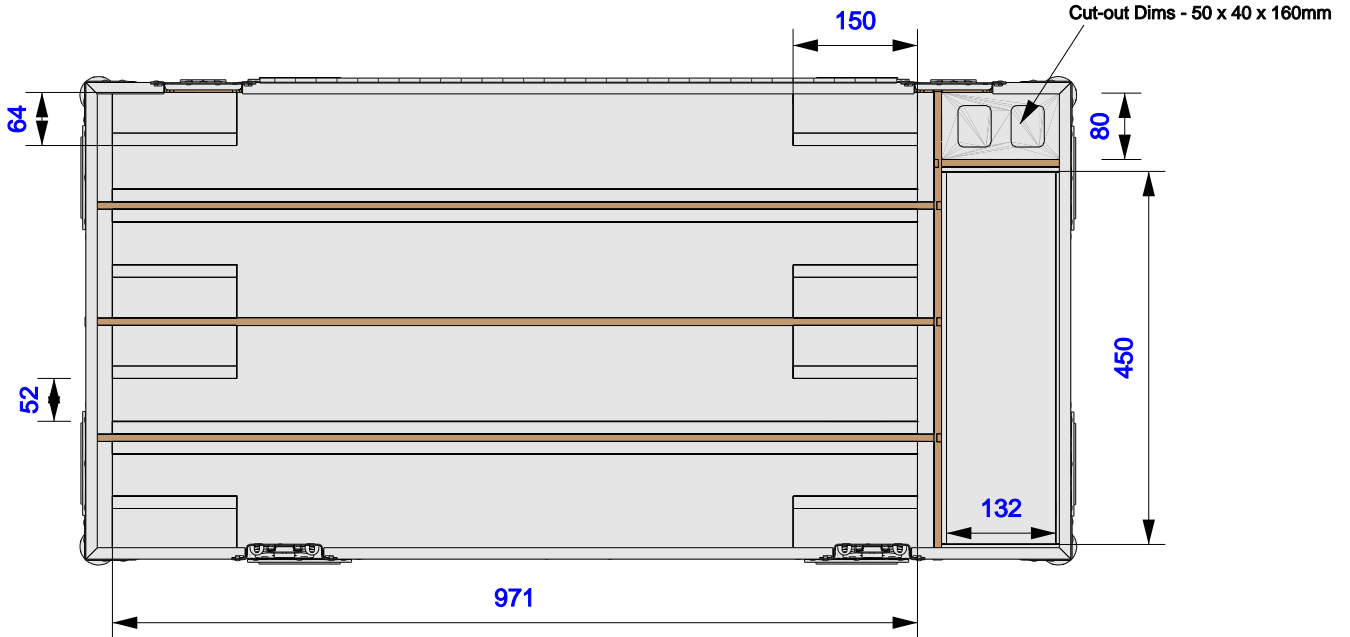
**Part No**  
85732-1

**Drawn By**  
Gerda

**Plan - Base only**

± 3mm tolerance apply to cavity dimensions

Unless stated otherwise



Kit

Length: 968mm

Width: 49mm

Height: 558mm

**Underside - Lid only**

