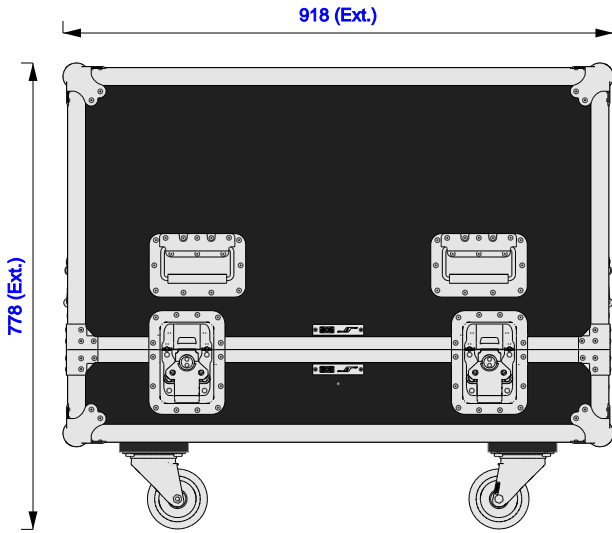




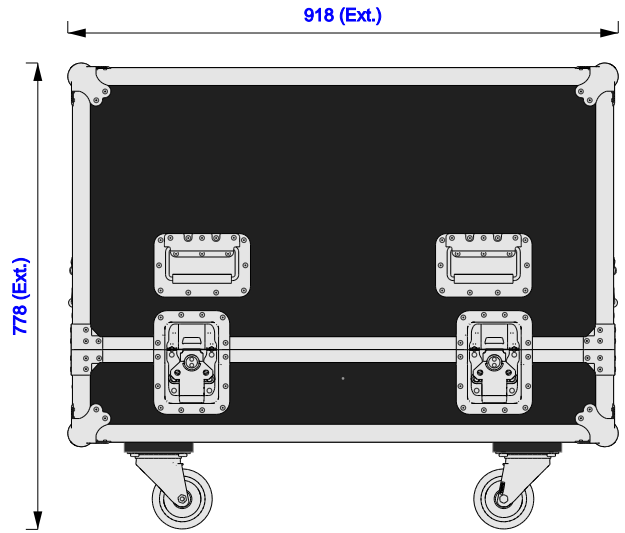
Part No  
81535-1

Drawn By  
Nick L

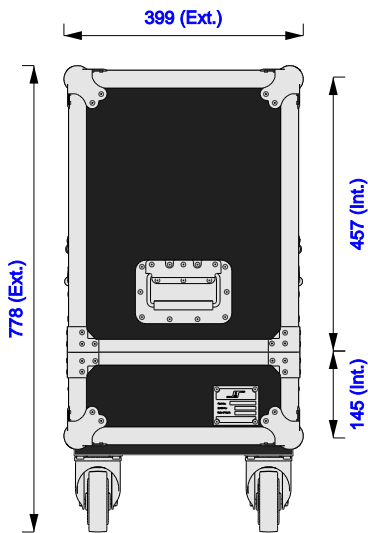
Front



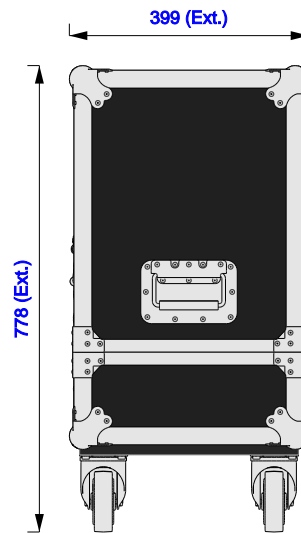
Back



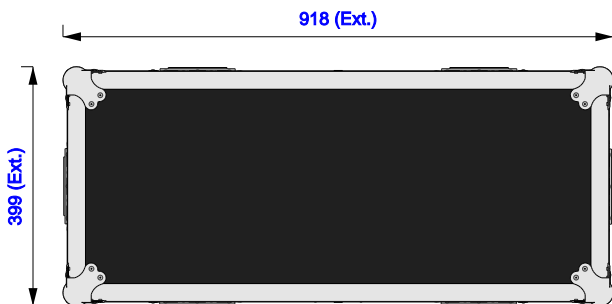
Right



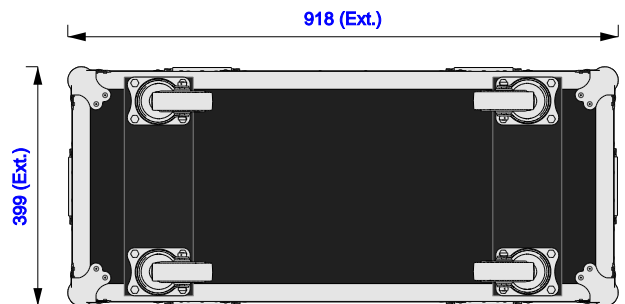
Left



Plan



Underside





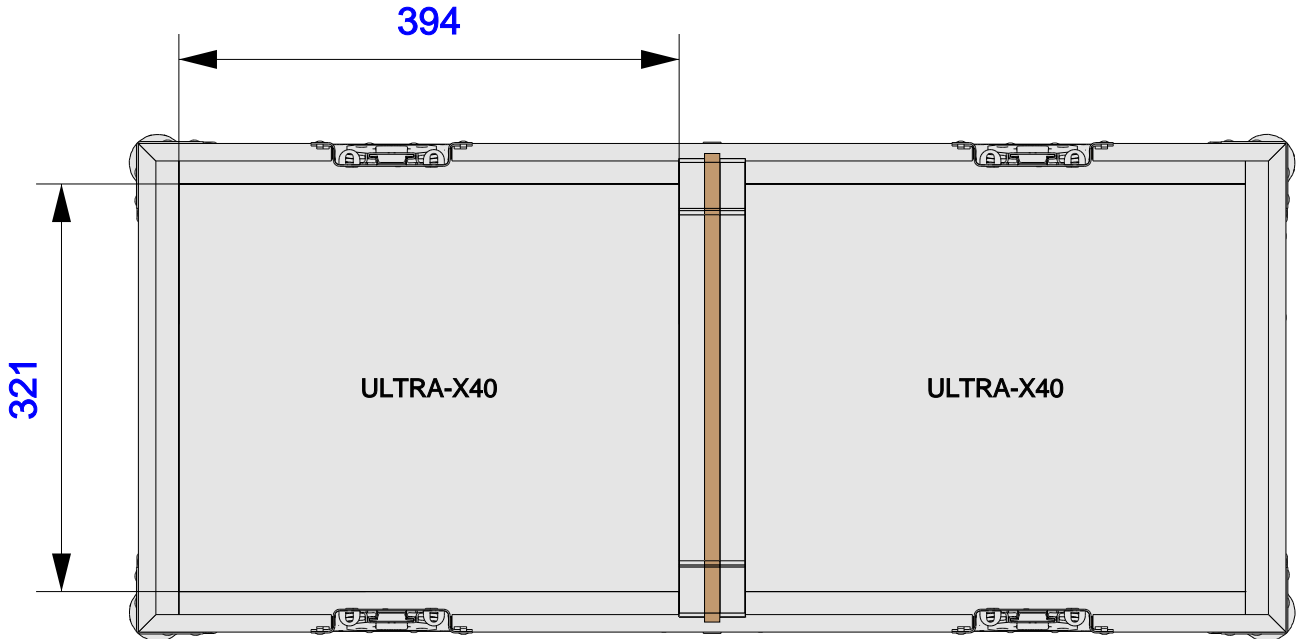
**Part No**  
81535-1

**Drawn By**  
Nick L

**Plan - Base only**

± 2mm tolerance apply to cavity dimensions

Unless stated otherwise



ULTRA-X40  
Length: 391mm  
Width: 318mm  
Height: 567mm

**Underside - Lid only**

