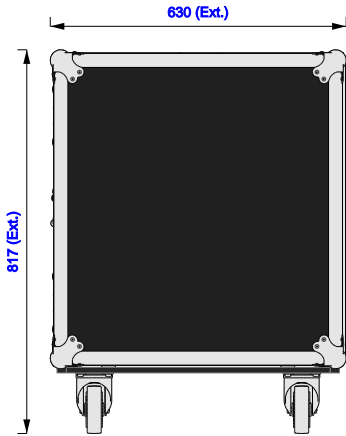




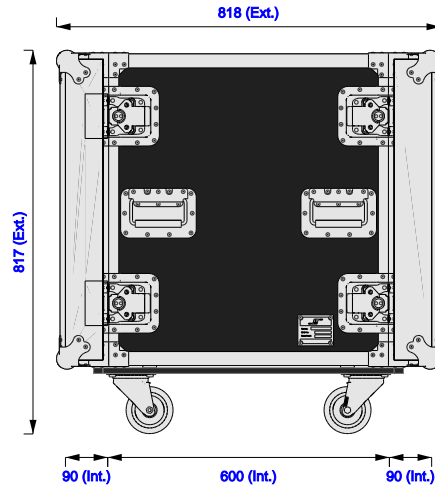
Part No
77961-1

Drawn By
Andy L

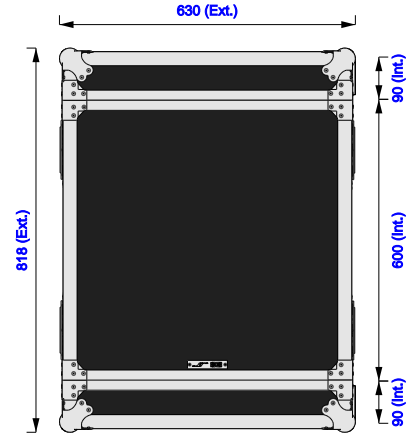
Front



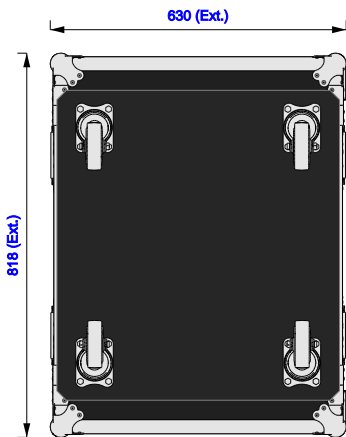
Right



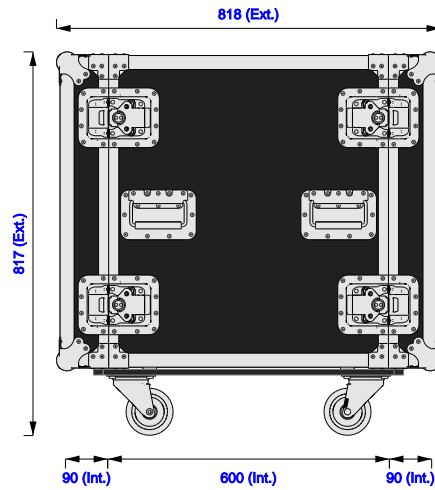
Plan



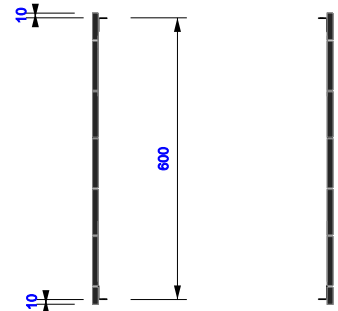
Underside



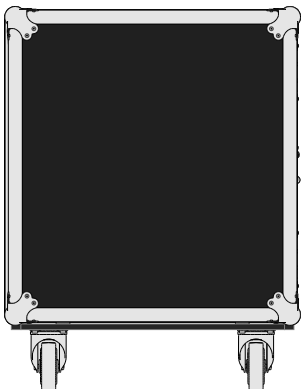
Left



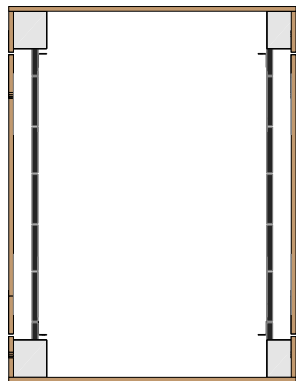
RACK PITCH



Back



Plan (filtered)

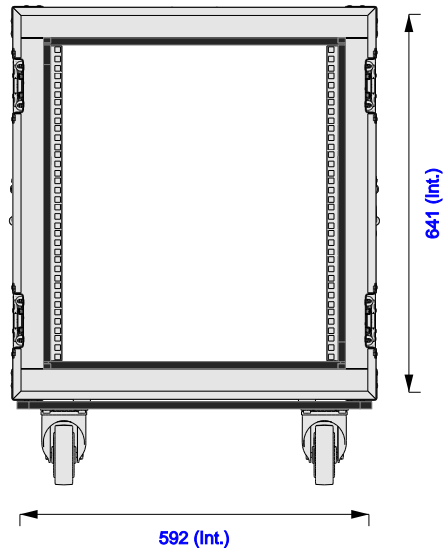




Part No
77961-1

Drawn By
Andy L

Front - Body only



Back - Body only

