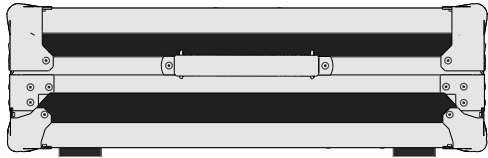




Part No
77958-1

Drawn By
Nick L

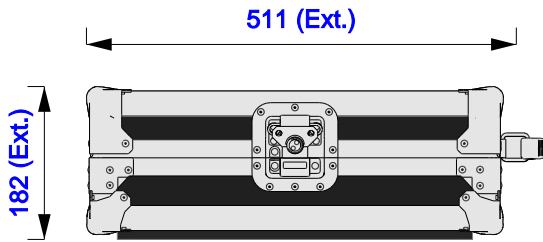
Front



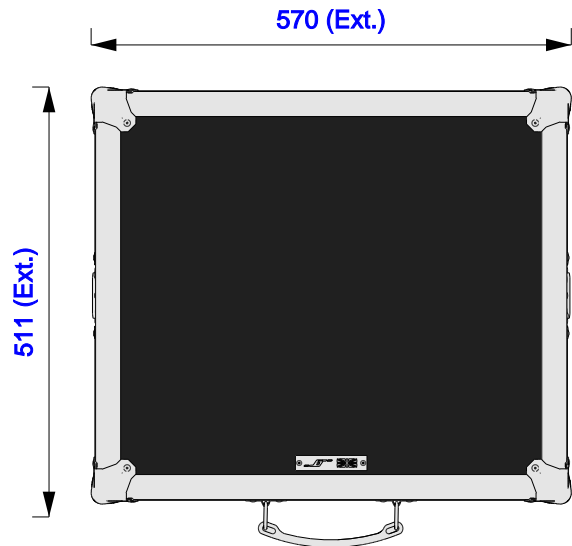
Back



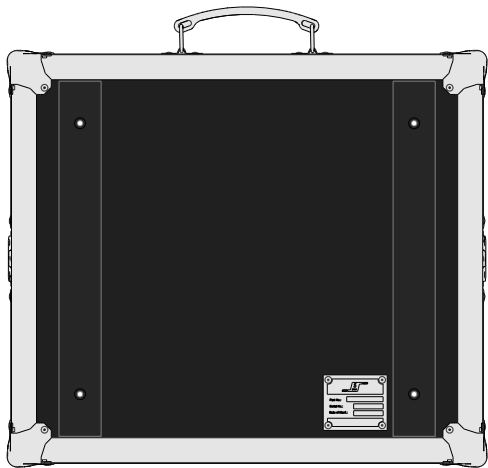
Left



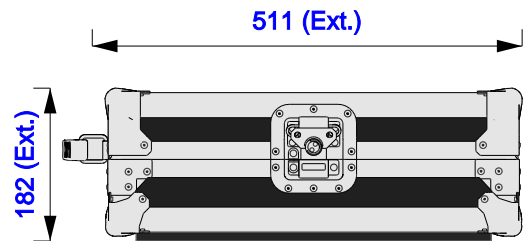
Plan



Underside



Right

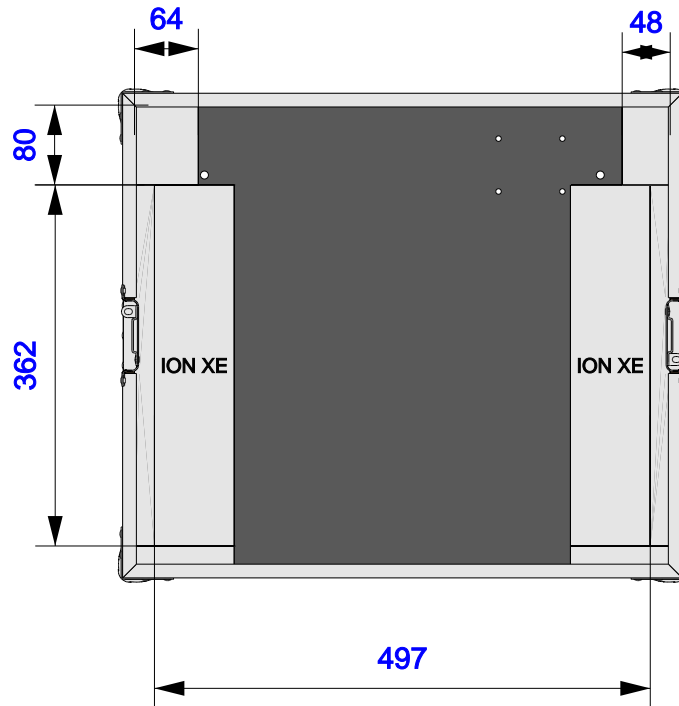




Part No
77958-1

Drawn By
Nick L

Plan - Base only



ION XE
Length: 497mm
Width: 362mm
Height: 103mm

Underside - Lid only

