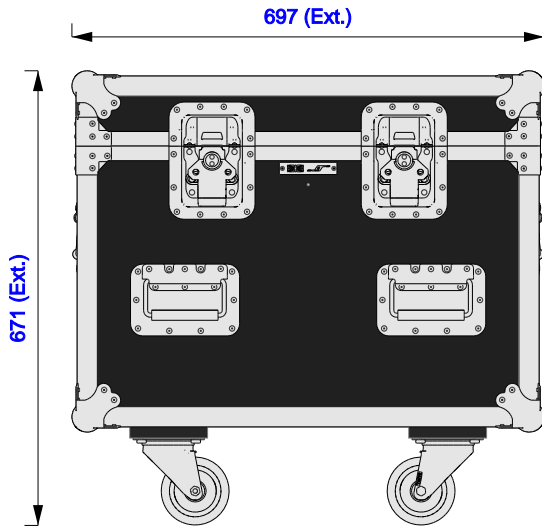




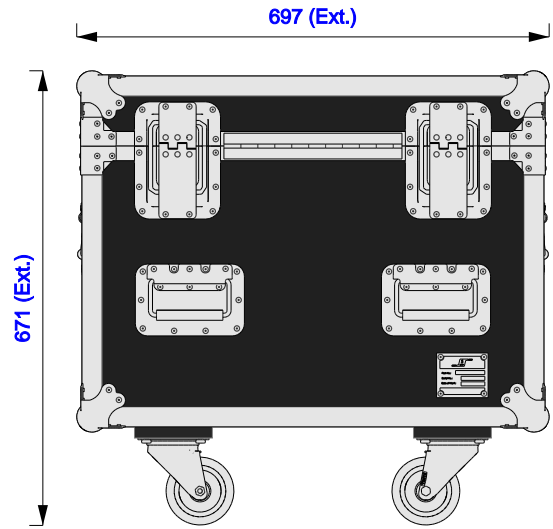
Part No  
72685-1

Drawn By  
Andy L

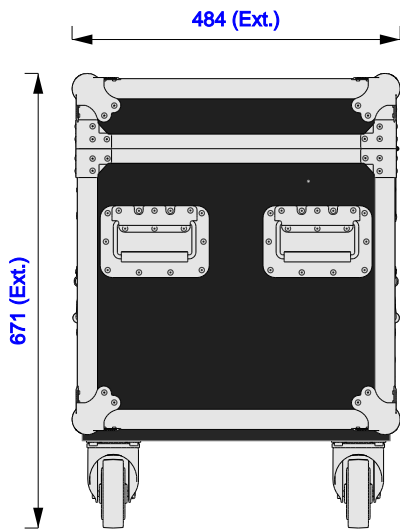
Front



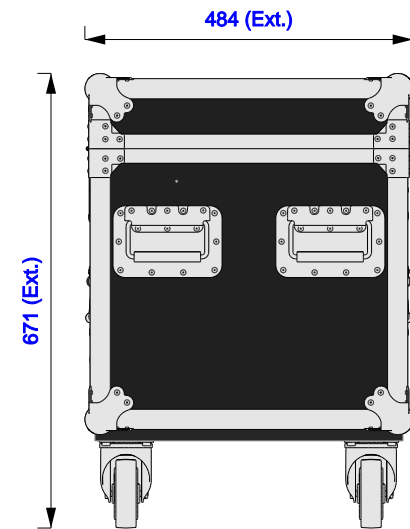
Back



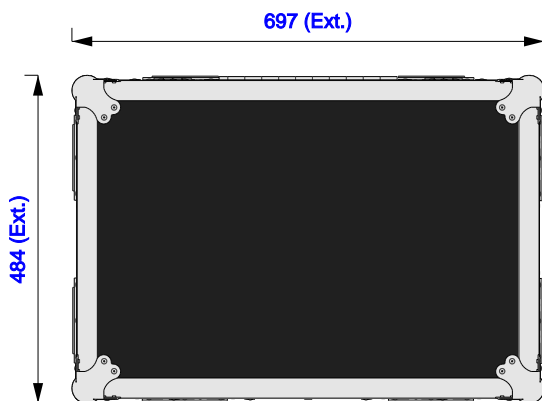
Right



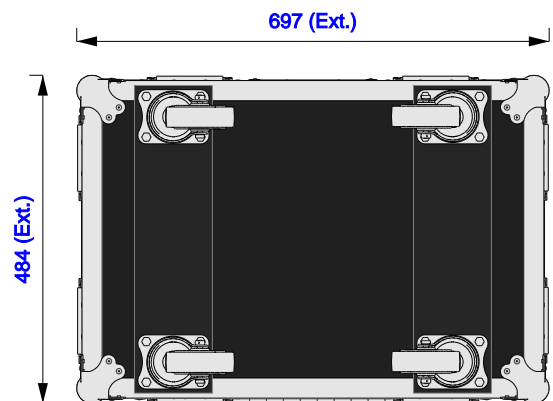
Left



Plan



Underside



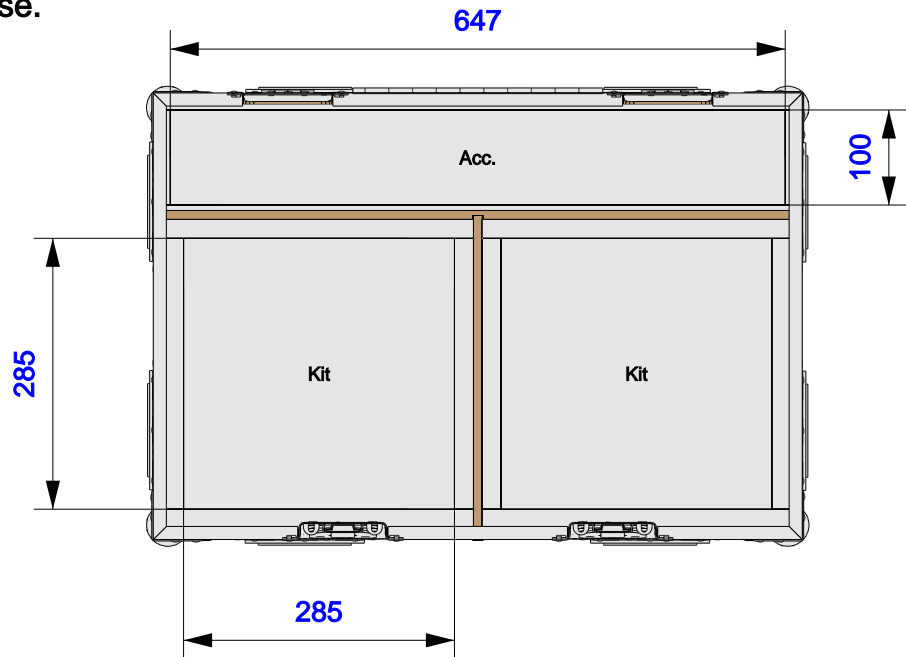


**Part No**  
72685-1

**Drawn By**  
Andy L

**Plan - Base only**

**± 3mm tolerance apply to cavity dimensions.  
Unless stated otherwise.**



**Kit**  
Length: 283mm  
Width: 283mm  
Height: 455mm

**Underside - Lid only**

