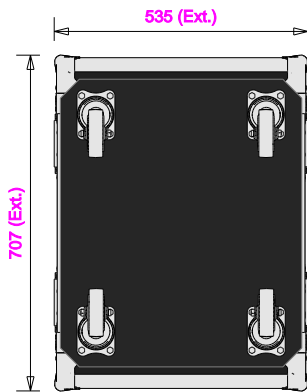




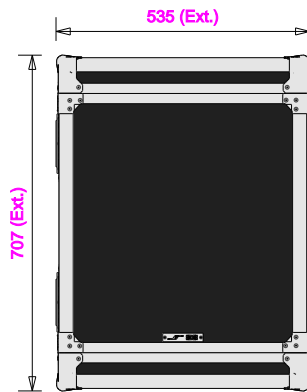
**Part No**  
55511-2

**Drawn By**  
Mason

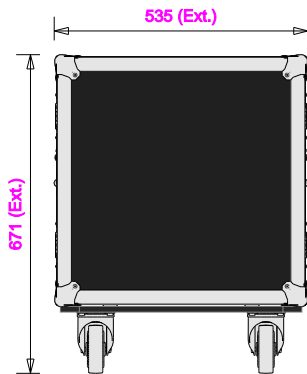
Underside



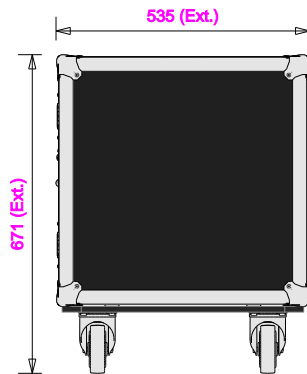
Plan



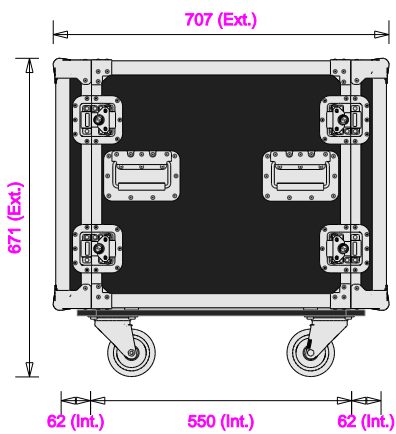
Back



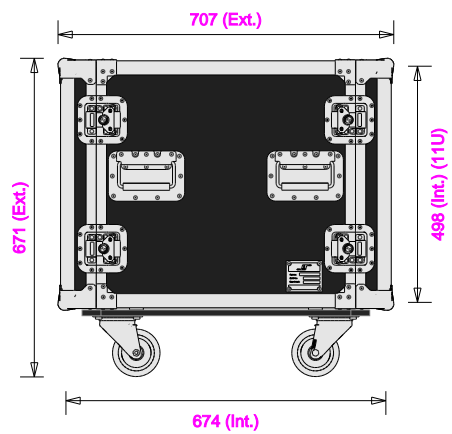
Front



Left



Right

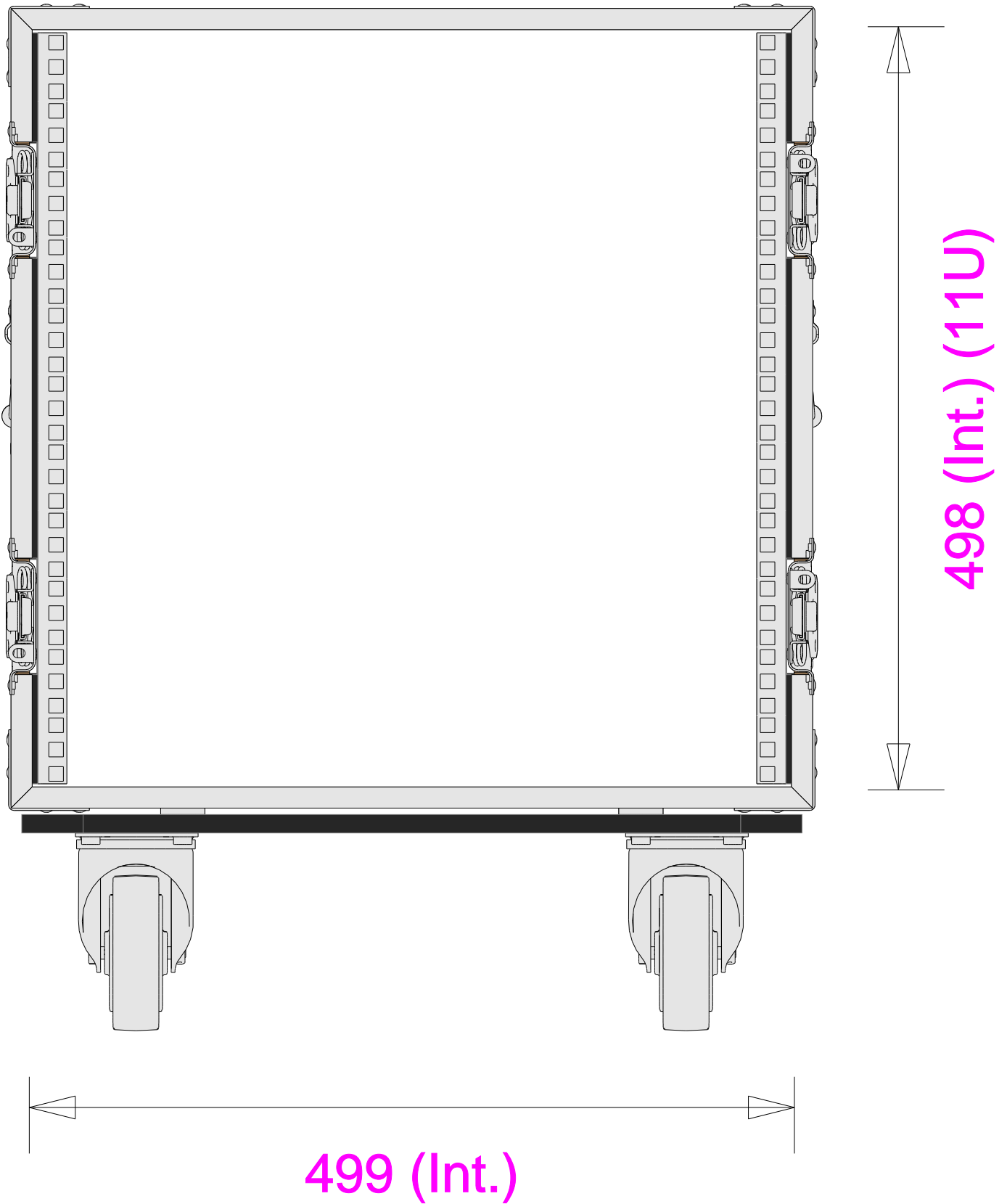




**Part No**  
55511-2

**Drawn By**  
Mason

Front - Body only





**Part No**  
55511-2

**Drawn By**  
Mason

Rackstrip positions, plan view

