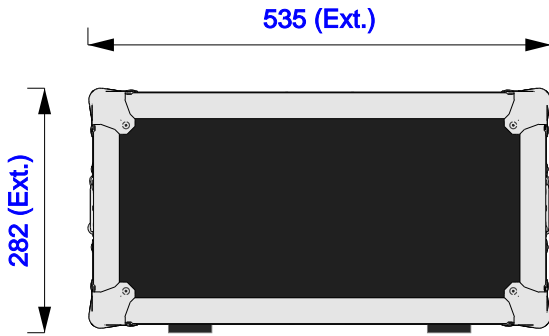




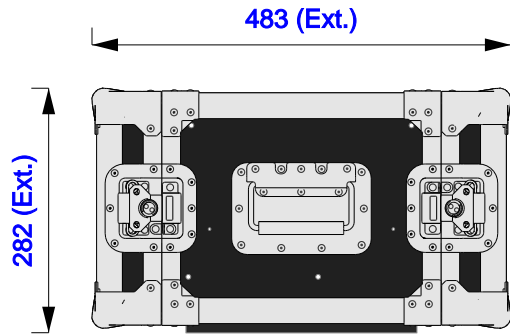
Part No  
33542-1

Drawn By  
Nick L

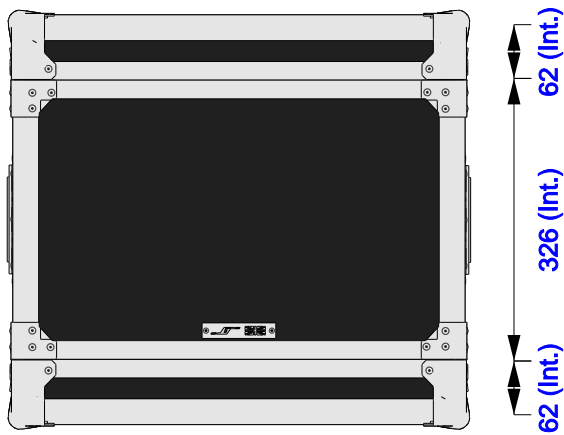
Back



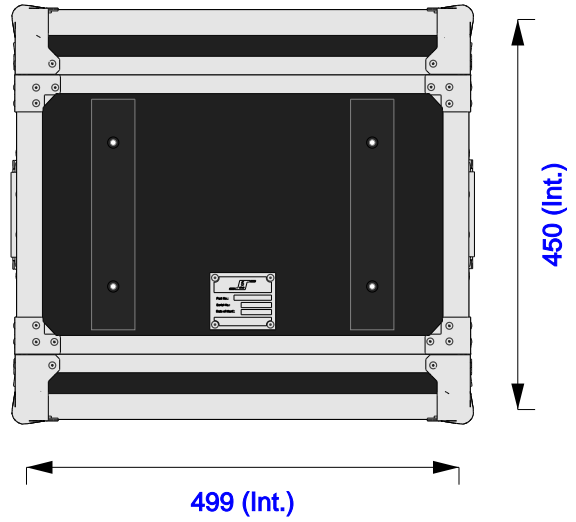
Right



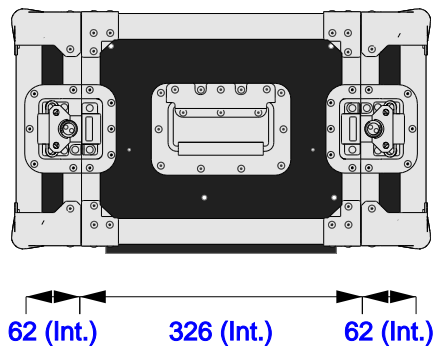
Plan



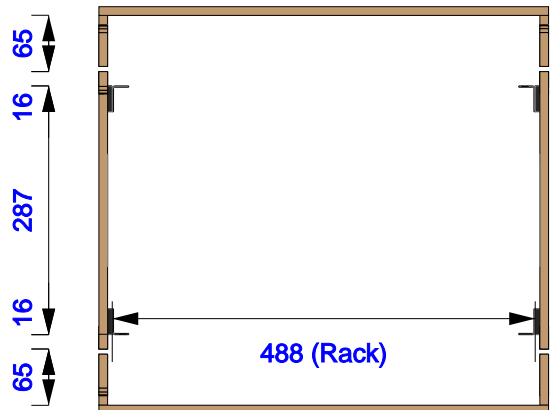
Underside



Left



Plan

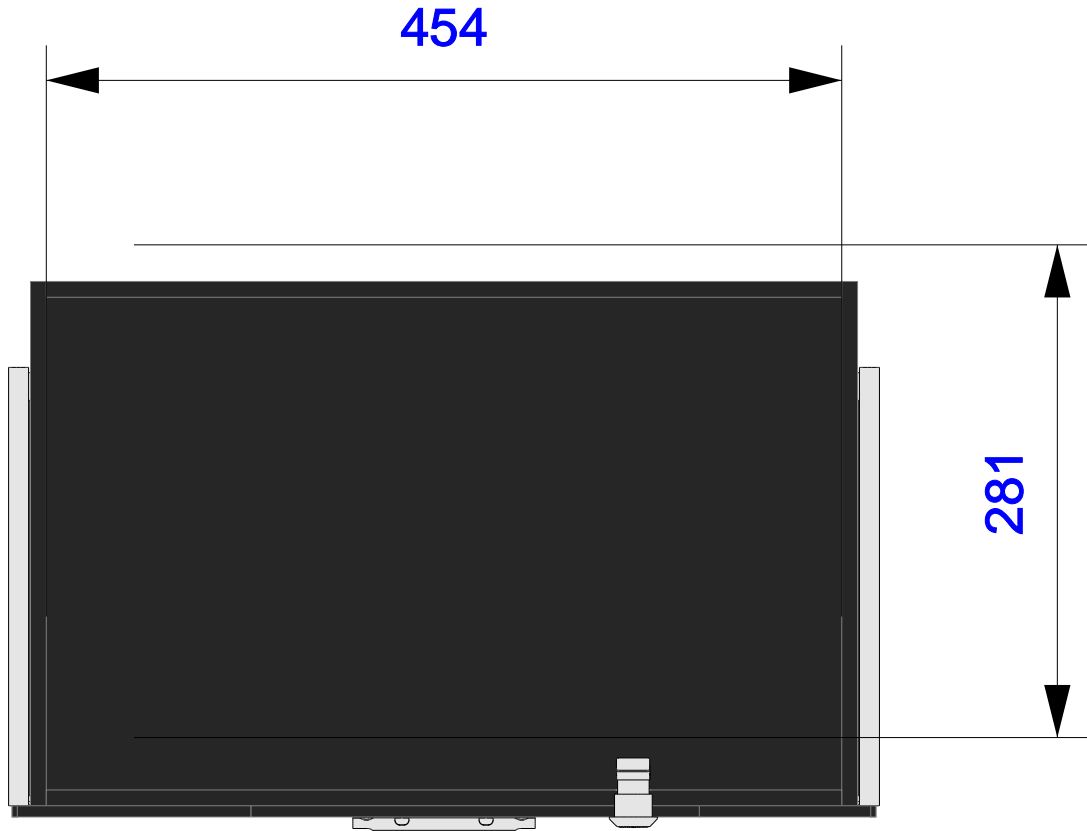




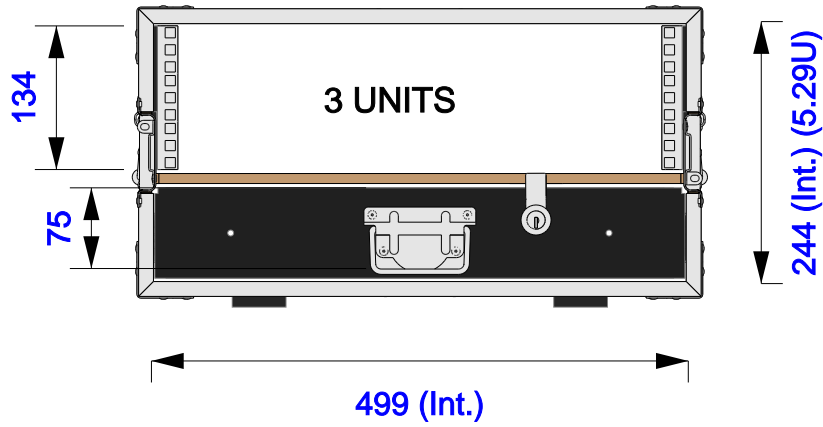
**Part No**  
33542-1

**Drawn By**  
Nick L

**Plan Drawers Only**



**Front - Body only**

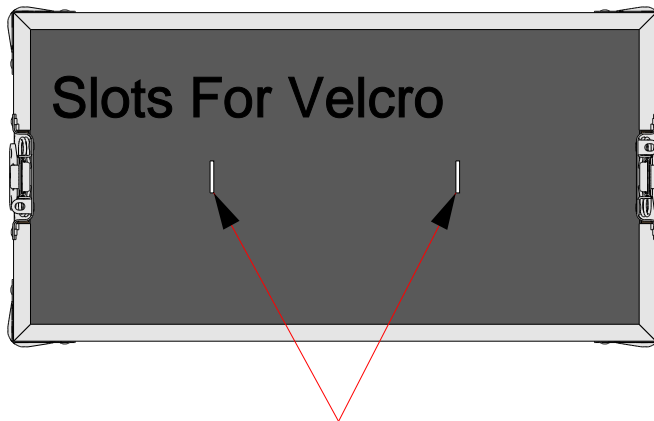


**Front - Back Door only**



**Part No**  
33542-1

**Drawn By**  
Nick L



**FIT VELCRO STRAPS FOR PADDLES IN REAR DOOR**